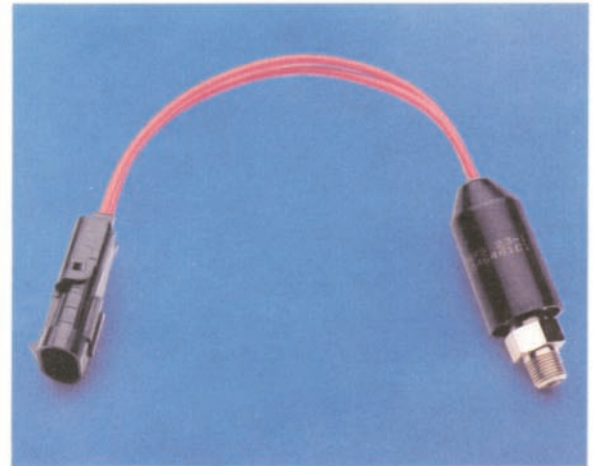


NEW FROM



36PS Automatic Reset Pressure Switch

- Compact & Light Weight for Direct Mounting
- Factory Calibrated Pressure Setpoints From 0 to 120 PSIG
- Hermetically Sealed Sensor
- Environmentally Sealed Switch
- Superior Corrosion Resistance
- High Cycle Life Capability
- Excellent Setpoint Repeatability and Temperature Stability
- Narrow Tolerance and Hysteresis
- Wide Variety of Port Fittings and Electrical Connections



TI's new 36 PS pressure switch features a number of design and process considerations that ensure accurate, reliable performance in low pressure, dry circuit applications. The all-metal construction of our hermetically sealed "free disc" pressure sensor provides a stable, long life; lacking elastomers, it is compatible with most fluids. The 36PS's unique

packaging affords repeatable pressure sensing through a wide temperature range and protection against contaminants such as dust, oil, salt and water. A statistically controlled and capable process ensures the performance and quality you expect from TI. Typical applications include low engine oil, brake, transmission and fuel pressure sensing.

Design Specifications*

System Pressure

500 psig (maximum)

Burst Pressure

5000 psig (minimum)

Pressure Setpoints

Customer specified (see back)

Electrical Configuration

Single Pole Single Throw
Normally open or normally closed

Electrical Ratings

5mA @ 9 Vdc to 2A @ 28 Vdc
5.8 FLA/34.8 LRA @ 120 Vac
2.9 FLA/15.0 LRA @ 240/277 Vac

Dielectric Strength

750 Vrms across open contacts
1500 Vrms terminals to case

Life at Rated Current*

1,000,000 cycles 0 – 300 psig under milli amp load
(10% drift/life)

100,000 cycles 0 – 500 psig under maximum
electrical load

Resistance to Vibration

20g from 50 – 2000 Hz
8 hrs in X-Y-Z directions

Ambient Temperature Rating

-40 to 125 degrees C
(4% setpoint shift/100 deg C)

Fluid Temperature Rating

-60 to 135 degrees C

Port Fittings

See table on back page

*Consult factory for details

Common Pressure Setpoints:

Actuation : 10 psig max.
Deactuation: 5.5 +/-3 psig

Actuation : 21 psig max.
Deactuation: 15 +/-3 psig

Actuation : 75 +/-5 psig
Deactuation: 65 +/-5 psig

Actuation : 13.5 +/-3 psig
Deactuation: 10 +/-3 psig

Actuation : 70 psig max.
Deactuation: 50 +/-5 psig

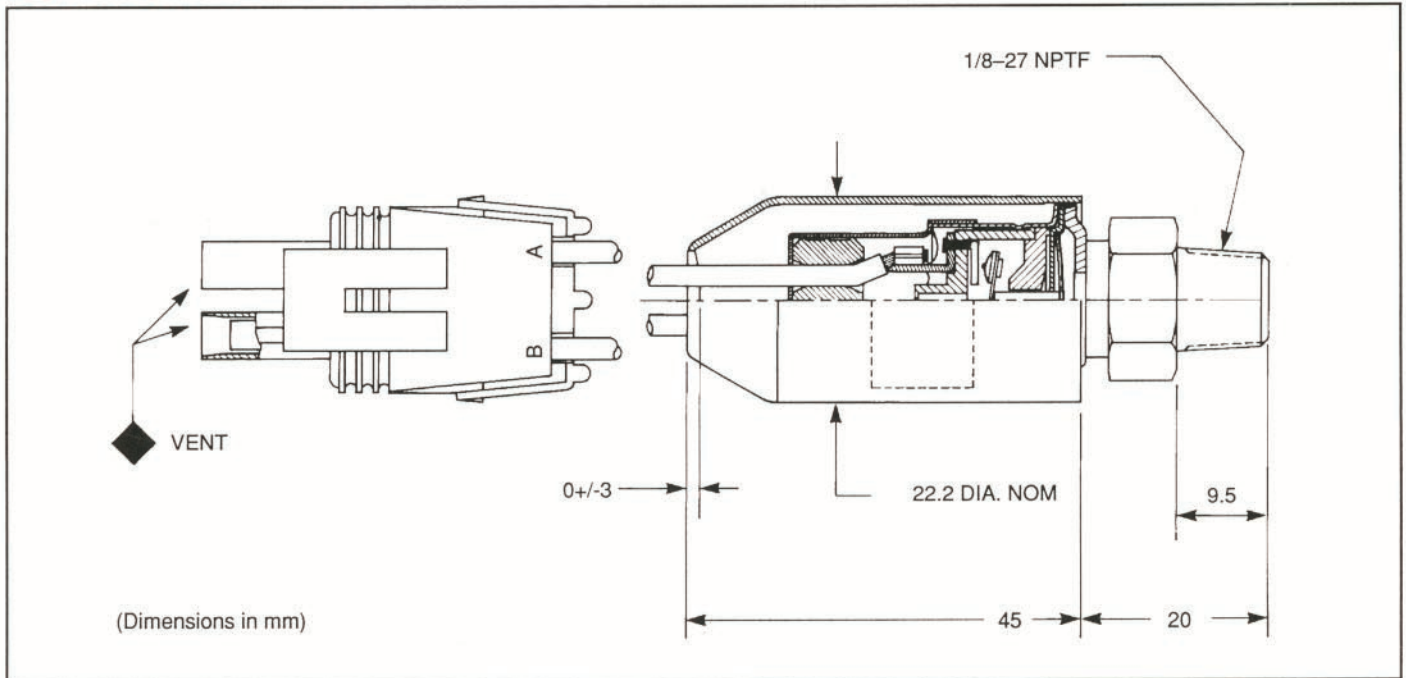
(Actuation is the switch trip-point on pressure rise. Deactuation is the switch trip-point on pressure fall. Either a normally open or normally closed switch may be attached to the sensor.)

Common Port Fittings:

- 1/8" – 27 NPTF male
- 1/4" – 18 NPTF male
- 1/4" SAE male flare
- 1/4" SAE female flare

- 3/8" – 24 UNF male o-ring
- 9/16" – 18 UNF male o-ring
- M 10 x 1 male o-ring
- 1/4" O.D. copper or stainless steel braze tube

Typical Physical Parameters



Order Entry

Texas Instruments Incorporated
300 North Main Street
Versailles, KY 40383
Phone: (606) 873-2635/2621
Fax: (606) 873-2694
Telex: 6829291

Marketing

Texas Instruments Incorporated
300 North Main Street
Versailles, KY 40383
Phone: (606) 873-2608
Fax: (606) 873-2614
Telex: 6829291

Texas Instruments provides customer assistance in varied technical areas. Since TI does not possess full access to data concerning all of the uses and applications of customers' products, responsibility is assumed by TI neither for customer product design nor for any infringements of patents or rights of others which may result from TI assistance.

