



# 7274 Series Circuit Breakers

Low Amperage, High Performance

## Features

- **Uses minimum space**
- **Light weight**
- **Ratings: 1/2 – 20 amperes**
- **Military approved**



7274-2

7274-4

7274-11 and 7274-69

## Overview

The 7274 series are small, light weight, low amperage devices that are specifically designed to protect aircraft / aerospace cable such as flat ribbon, fused multi-conductor tape and printed circuit conductors now being used in lighter weight power distribution systems and components in airborne vehicles and equipment.

The 7274 series features a trip-free indicating-type reset button. Also, a “wiping action” contact design assures low voltage drop, faster trip time and high reliability in low voltage applications. They are available in standard ratings from 1/2 – 20 amps.

A water resistant panel seal\* designed to fit over the push button actuator is available for applications that require this type of protection.

## Options

Long push buttons

Auxiliary switch

Waterproof panel seal

High vibration

TI Number	MS Number	TI Number	MS Number
7274-2-½	MS 26574-½	7274-4-½	MS 26574-½A
7274-2-¾	MS 26574-¾	7274-4-¾	MS 26574-¾A
7274-2-1	MS 26574-1	7274-4-1	MS 26574-1A
7274-2-1½	MS 26574-1½	7274-4-1½	MS 26574-1½A
7274-2-2	MS 26574-2	7274-4-2	MS 26574-2A
7274-2-2½	MS 26574-2½	7274-4-2½	MS 26574-2½A
7274-2-3	MS 26574-3	7274-4-3	MS 26574-3A
7274-2-4	MS 26574-4	7274-4-4	MS 26574-4A
7274-2-5	MS 26574-5	7274-4-5	MS 26574-5A
7274-2-7½	MS 26574-7½	7274-4-7½	MS 26574-7½A
7274-2-10	MS 26574-10	7274-4-10	MS 26574-10A
7274-2-15	N/A	7274-4-15	N/A
7274-2-20	N/A	7274-4-20	N/A
TI Number	MS Number	TI Number	MS Number
7274-11-½	MS 22073-½	7274-69-½	MS 22073-½V
7274-11-¾	MS 22073-¾	7274-69-¾	MS 22073-¾V
7274-11-1	MS 22073-1	7274-69-1	MS 22073-1V
7274-11-1½	MS 22073-1½	7274-69-1½	MS 22073-1½V
7274-11-2	MS 22073-2	7274-69-2	MS 22073-2V
7274-11-2½	MS 22073-2½	7274-69-2½	MS 22073-2½V
7274-11-3	MS 22073-3	7274-69-3	MS 22073-3V
7274-11-4	MS 22073-4	7274-69-4	MS 22073-4V
7274-11-5	MS 22073-5	7274-69-5	MS 22073-5V
7274-11-7½	MS 22073-7½	7274-69-7½	MS 22073-7½V
7274-11-10	MS 22073-10	7274-69-10	MS 22073-10V
7274-11-15	N/A	7274-69-15	N/A
7274-11-20	N/A	7274-69-20	N/A

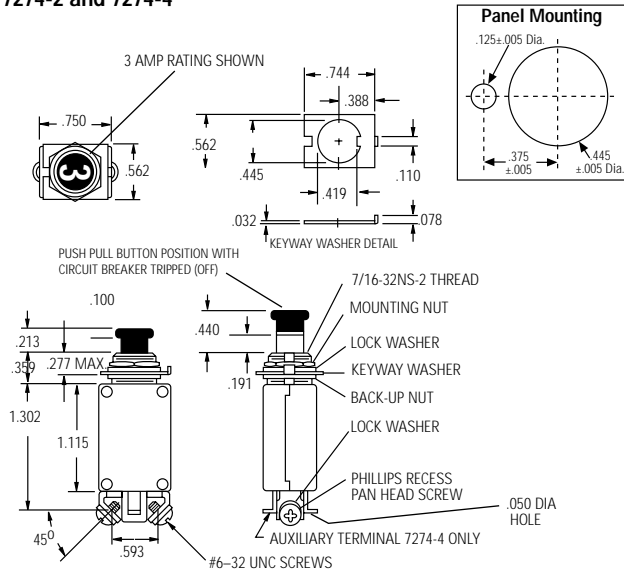
\* Part number 14500-1 fits 7274-11 and other types with 15/32" mounting bushing.  
14500-5 fits 7274-2 (7/16").

7274-70 Qualified to MS 26547L for ratings 1/2 amp to 10 amp.

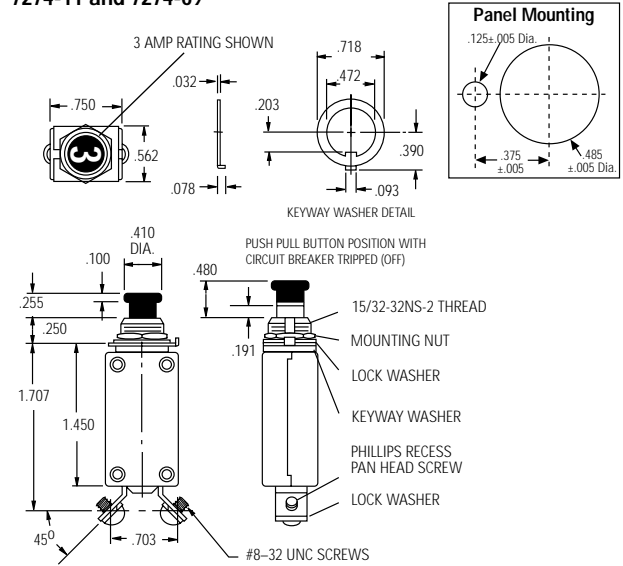
## Characteristics

7274

### 7274-2 and 7274-4



### 7274-11 and 7274-69



Vibration*	10 G's minimum, 50-500 Hz
Mechanical Shock	35 G's
Acceleration	10 G's minimum
Weight	7274-2: 28 gm max. 7274-4: 28 gm max. 7274-11: 33 gm max. 7274-69: 33 gm max.

### Interrupt Current

1/2 - 5 amps: unlimited at 28 VDC  
 7½ - 15 amps: 2000 amps at 28 VDC  
 1/2 - 1½ amps: 800 amps at 120 VAC, 400 Hz  
 2 - 5 amps: 800 amps at 120 VAC, 400 Hz  
 7½ - 20 amps: 500 amps at 120 VAC, 400 Hz

### Endurance

2500 cycles	120 VAC, 400 Hz Inductive
5000 cycles	120 VAC, 400 Hz Resistive
2500 cycles	30 VDC, Inductive
5000 cycles	30 VDC, Resistive
5000 cycles	Mechanical, no load

\* Other vibration levels available. Contact factory for details.

### Calibration: 1/2-20 amps

Temp °C	Min ULT Trip	Max ULT Trip	Trip Time - Seconds		
			200%	500%	1000%
+25	115%	150%	2-20	.16-1.2	.046-.8
-55	135%	180%	-	-	-
+71	90%	130%	-	-	-

TI Number	Voltage Drop (Max.)**
7274-XX-½	2.00
7274-XX-¾	1.45
7274-XX-1	1.10
7274-XX-1½	0.75
7274-XX-2	0.75
7274-XX-2½	0.70
7274-XX-3	0.55
7274-XX-4	0.45
7274-XX-5	0.35
7274-XX-7½	0.30
7274-XX-10	0.28
7274-XX-15	0.25
7274-XX-20	0.25

\*\*Max voltage drop at nominal rated current.

### Approximate Time-Current Curves 7274 Circuit Breakers

