



7277 Series Circuit Breakers

Low Amperage, General Application

Features

The 7277 series is designed for applications that do not require the tighter performance characteristics and approvals of our military circuit breakers.

- **Small size**
- **Light weight**
- **Inexpensive**
- **Auxiliary switch**
- **Longer push buttons**



Overview

The 7277 series circuit breaker is physically and electrically identical to the 7274-2 style circuit breaker, with the exception that the 7277 series has wider calibration limits.

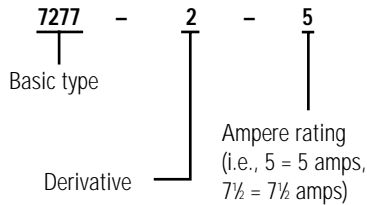
Originally developed as an alternative to slow blow fuses, the trip free 7277 is used extensively as primary electrical circuit protection on general aviation aircraft.

The wider calibration limits of the 7277 has also resulted in applications including protection for data processing and telecommunications equipment, computers, flight simulators, construction, material handling and other industrial, electronic equipment.

For use on trainer / simulator applications where all breakers are operated on low ampere control current, different ampere rating inserts (amp ratings on top of push button) can be ordered. Use TI part number 27515.

(Refer to 7274-2 and 7274-4 dimensions on previous page.)

Code System



7277-1: Aux. switch version
7277-2: Std. version

Ordering Information

Part Number	Ampere Rating	Max. Drop** (volts)
7277-2-1/2	1/2	2.00
7277-2-3/4	3/4	1.45
7277-2-1	1	1.10
7277-2-1 1/2	1 1/2	0.75
7277-2-2	2	0.70
7277-2-2 1/2	2 1/2	0.50
7277-2-3	3	0.33
7277-2-4	4	0.30
7277-2-5	5	0.25
7277-2-7 1/2	7 1/2	0.20
7277-2-10	10	0.15
7277-2-15	15	0.15
7277-2-20	20	0.15

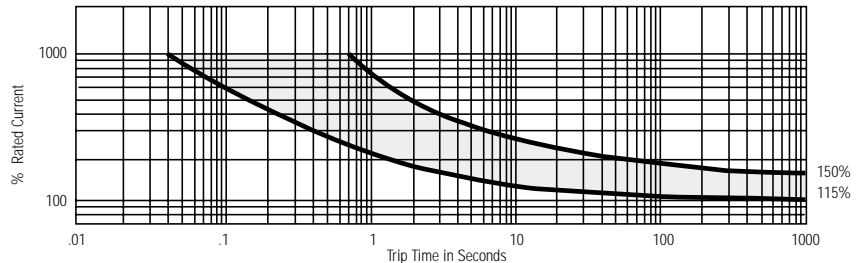
**Max voltage drop at nominal rated current.

Calibration: 1/2–20 amps*

Temp °C	Min ULT Trip	Max ULT Trip	Trip Time - Seconds		
			200%	500%	1000%
+25	110%	150%	2-35	.15-1.70	.028-.55

* Performance characteristics and dimensions are equivalent to 7274 which are found on page 19.

Approximate Time-Current Curves 7277 Circuit Breakers



KLIXON[®]

20TC Series Circuit Breakers

Rocker Actuated Switch Type

Features

- **Versatile rocker actuator – snap-on, switch type in various styles and colors for panel mounting**
- **Provides dual function – “ON/OFF” circuit switching and protection**



20TC2

Overview

The Klixon 20TC series circuit breaker offers the advantages of integrating an on/off switch and a circuit protector in a trim, compact package. The snap-on actuators are available on request in a variety of colors, styles and indication markings. They are designed to provide a stylish console appearance to the panels of light aircraft, pleasure boats,

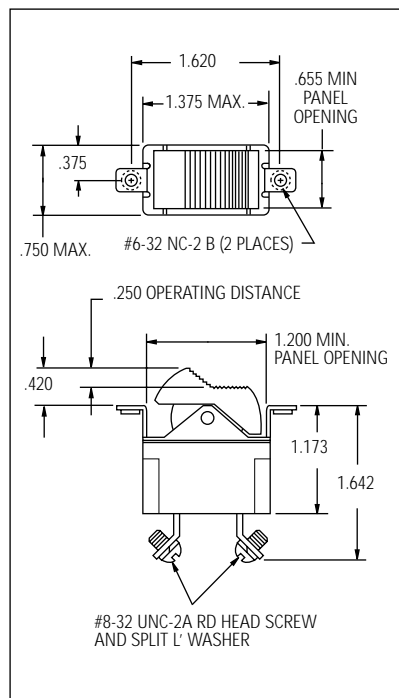
home appliances, office reproducing and calculating machines, and data processing equipment.

Several different types of actuators are available. The translucent actuator permits quick identification of the actuator position under low ambient lighting conditions by emitting a soft glow from a light source, such as an edge lighted panel. Colored

actuators will be hot letter stamped in white. White and translucent actuators will be stamped in black.

The growing demand for a highly stylized and aesthetic panel appearance has generated the need for the 20TC. The basic mechanism has been proven for reliability in a wide variety of applications.

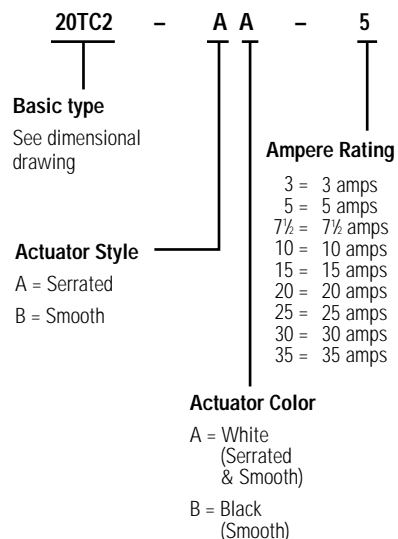
Envelope Drawings



Rocker Button Options (SR12507-156-X)

- 1 PUSH ON / LNDG LITE
- 2 PUSH ON / NAV LITE
- 3 PUSH ON / ANTI COLL
- 4 PUSH ON / PITOT HEAT
- 5 PUSH ON / BOOST PUMP
- 6 PUSH ON / GLIDE SLOPE
- 7 PUSH ON MKR BCN
- 8 PUSH ON / STROBE LITE
- 9 OFF
- 10 OFF
- 11 “SR TO INVERT MARKING”
- 13 PUSH ON / ROT BCN
- 16 PUSH ON / ELEV TRIM
- 18 PUSH ON / RADIO MASTER
- 19 PUSH ON / LDG LITE
- 20 ON / OFF
- 21 OFF
- 22 “COLORED BOX”
- 23 OFF
- 25 ON / OFF
- 26 OFF / ON
- 27 PUSH ON / LOW BOOST
- 28 PUSH ON / HIGH BOOST
- 29 PUSH ON / WX RADAR
- 30 PUSH ON / PROP DE ICE
- 33 PUSH ON / STBY VAC
- 34 NO ACTUATOR
- 35 ON / OFF

Code System



Note: Performance Characteristics similar to 7270/7271 devices on page 22 and 23.