



## Automotive Cooling Fan Protector Series

First Technology's Automotive Cooling Fan Protector Series of circuit breakers are used to protect cooling fan motors in under hood 12 Volt DC applications. This patented device is available in both automatic reset and remote reset configurations and in a variety of wire lengths and terminations.

The device is self-contained, which eliminates the need for a fuse block and makes the device well suited for under hood environments. First Technology encapsulates one of their Maxi Breaker® circuit protectors within the device to protect against momentary overloads and eliminate the need for fuse replacement.

First Technology is an ISO and TS Registered company. We provide world-class quality products error free and on time.

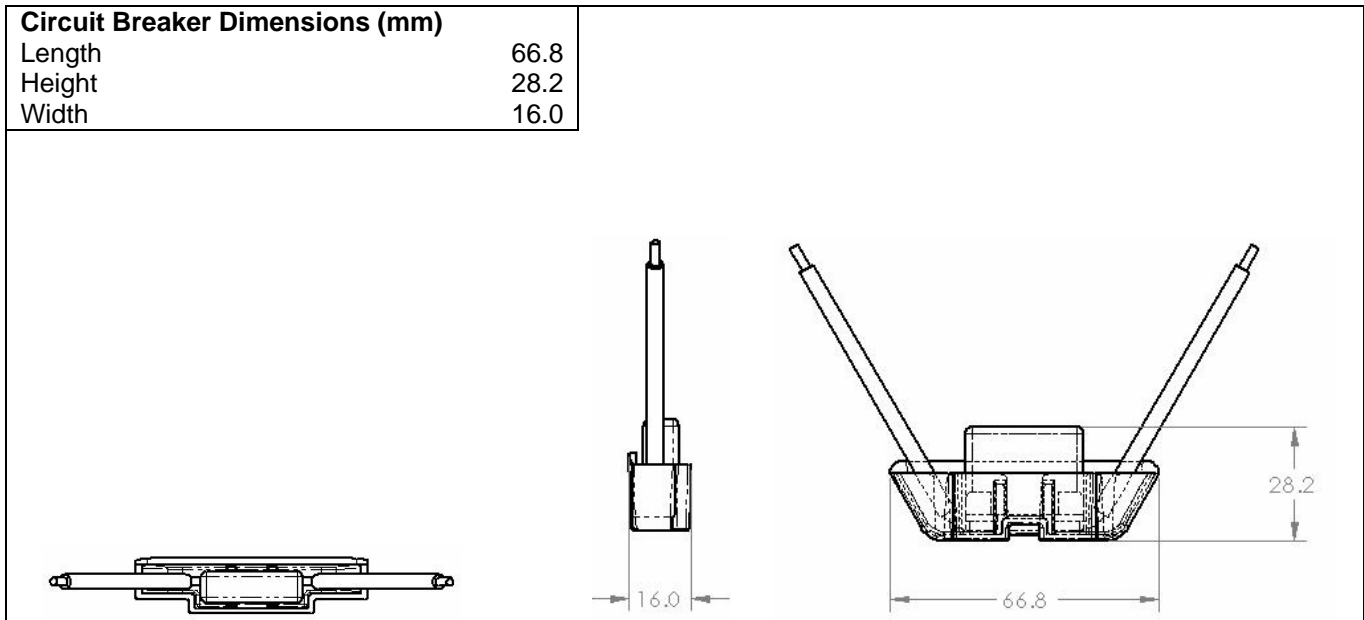
### Features:

- Available in SAE Type I (cycling) and SAE Type II (non-cycling)
- Multiple bimetallic resistivities available
- Available in any amperage from 10 to 50 amps rated current
- Heater wire wrapped around the bimetals keeps the protector open until the power is removed

### Benefits:

- Insensitive to momentary overloads
- Self-resetting characteristic adds safety to critical areas of protection
- Ambient compensated design allows for use in harsh areas where temperatures may reach 125° C
- Accommodates longer life cycle requirements
- Matches the derating characteristic of wire
- No fuse block is needed for installation
- Circuit breaker is encapsulated for harsh environments





Top View

Side View

Front View

#### General Specifications

Nominal Operating Voltage	14 Volts DC
Typical Voltage Drop at Operating Current	200 Mv max
Typical Ambient Temperature Range	-40°C to 125°C
Maximum Operating Current Depending on Type	10 to 50 Amps Rated Current DC



Email: [info@1firsttech.com](mailto:info@1firsttech.com)

Website: <http://www.1firsttech.com>

#### North American Sales Office:

28411 Northwestern Highway, Suite 115  
Southfield, MI 48034 USA  
Tel: 800 392 3908 (USA only)  
+1 248 353 6200  
Fax: +1 248 353 8333

#### Japan Sales Office:

Monzennakacho Building  
9<sup>th</sup> Floor, 1-2-13 Etchujima  
Koto-Ku, Tokyo 135, Japan  
Tel: +81 (0) 3 5245 6091  
Fax: +81 (0) 3 5245 6092

#### China Sales Office:

Lonco Company Limited  
Unit 1125-1126, Star House  
3 Salisbury Road  
Tsimshatsui, Kowloon  
Hong Kong SAR  
Tel: +852 2730 2330  
Fax: +852 2735 6914

#### European Sales Office:

Parc International d'Entreprises Arlington  
4, Boulevard Michael Faraday  
77716 Marne La Vallée, Cedex 4, France  
Tel: +33 (0) 1 60 42 89 01  
Fax: +33 (0) 1 60 42 89 04

#### Korea Sales Office:

LG Palace Building, Suite 1228  
Dong-kyo-Dong, 165-8 Mapo-Gu  
Seoul 121-754, Korea  
Tel: +82 (0) 2 336 7872  
Fax: +82 (0) 2 336 7803