



Klixon | PRESSURE SWITCHES

36PS SERIES, AUTOMATIC RESET

LEADING THE WORLD IN SWITCH DESIGN

Sensata's 36PS pressure switch offers a number of design features that ensure accurate, reliable performance in low pressure, dry circuit applications. The all-metal constructions of this hermetically sealed "free disc" switch allows the product to remain extremely stable over life. Compatible with most fluids, this product is rated up to 1M cycles.

Sensata Technologies has been a leading global supplier of pressure sensors and switches for over 50 years.

Features & Benefits

- Hermetically Sealed Sensor
- Snap Acting/Automatic Reset
- Wide Temperature Range
- Environmentally Sealed and Vented
- Factory Calibrated Set Points
- Compact and Lightweight for Direct Mounting
- Excellent Set Point Repeatability & Temperature Stability
- Narrow Tolerance and Hysteresis
- High Vibration Capability

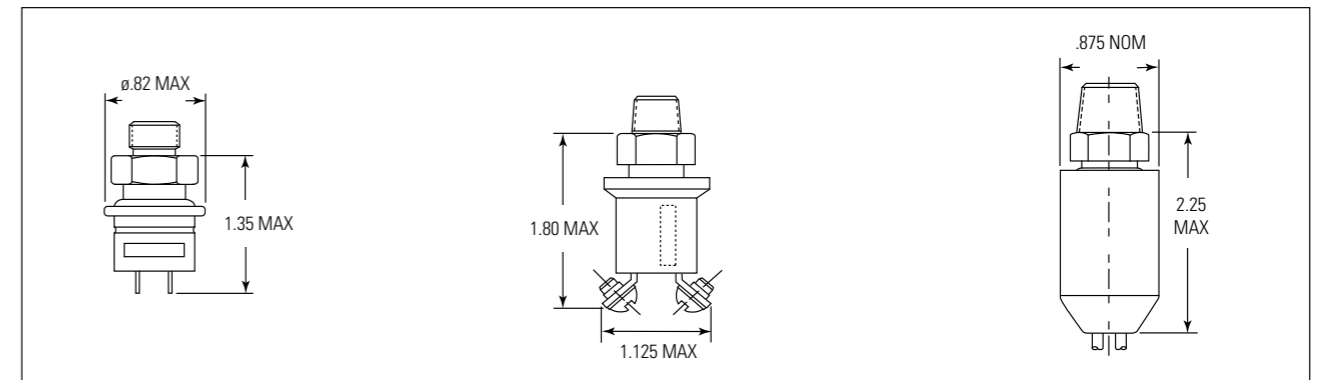
Applications

- Construction Equipment
- Agricultural Equipment
- Compressors and Pumps
- Hydraulics and Pneumatics
- Engine Controls
- Process Control
- Automation Systems
- Industrial Systems
- Marine Engine/Equipment

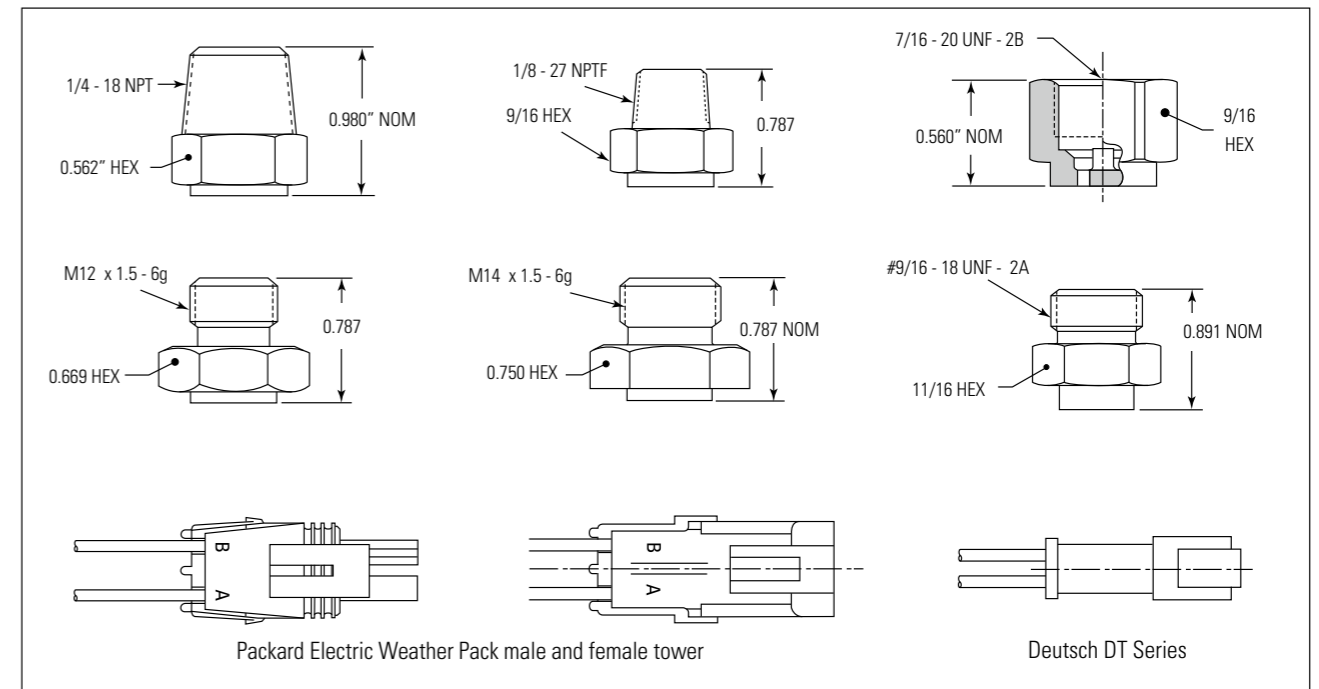
Technical Specifications

<p>Operating Pressure 500 psig (34 bar)</p> <p>Proof Pressure* 600 psig (41 bar)</p> <p>Burst Pressure 5000 psig (345 bar)</p> <p>Life at Rated Current 1,000,000 cycles 0-300 psig/milliamp load 100,000 cycles 0-500 psig full amperage</p> <p>Electrical Ratings 5 mA @ 9 Vdc to 2A @ 28 Vdc 5.8 FLA/34.8 LRA @ 120 Vac 2.9 FLA/15.0 LRA @ 240/277 Vac</p>	<p>Dielectric Strength 750 Vrms Open Contacts 1500 Vrms Terminals to Fittings (ground)</p> <p>Lead Wire Material #16 & #18 AWG 600 V 105°C 1/32" PVC Quick Connects .250" x 0.032" straight male spa Others upon request; call Sensata</p> <p>Ambient Temperature -40°F to 257°F (-40°C to 125°C) (4% setpoint shift @ 100°C)</p> <p>Fluid Temperature -65°F to 275°F (-53.9°C to 135°C)</p>
----------------------------------------------------------------------------------------------------------------------------------------------------------------------------------------------------------------------------------------------------------------------------------------------------------------------------------------------------------------------------------------------------------------------------------	------------------------------------------------------------------------------------------------------------------------------------------------------------------------------------------------------------------------------------------------------------------------------------------------------------------------------------------------------------------------------------------------------------------------------------------------------

Typical Physical Characteristics (Additional configurations are available. Contact Sensata: sensors@sensata.com)



Typical Standard Fittings (Additional fittings are available. Contact Sensata: sensors@sensata.com)



Common Port Fittings

1/8" - 27 NPTF male	3/8" - 24 UNF male o-ring
1/4" - 18 NPTF male	9/16" - 18 UNF male o-ring
1/4" SAE male flare	M 10 x 1 male o-ring
1/4" SAE female flare	1/4" O.D. copper or stainless steel braze tube