

# P321

## Wet Wet Differential Pressure Sensors

### Typical Applications

- Exhaust Gas Recirculation (EGR)
- Diesel Particulate Filter (DPF)
- Chillers
- Differential Pressure for Natural Gas Power Generation
- Oil Differential Sensing on Compressors

### Standard Full Scale Pressure Ranges

0-5 through 0-50 PSI Differential

0-0.35 through 0-3.50 Bar Differential

### Features

- Linear Amplified Output
- High Common Mode Capability
- Temperature Compensated
- Low Power Consumption
- Rugged Design
- Soot Resistant
- High Temperature Performance
- Compatible with Harsh Environments & Exhaust Media



### Description

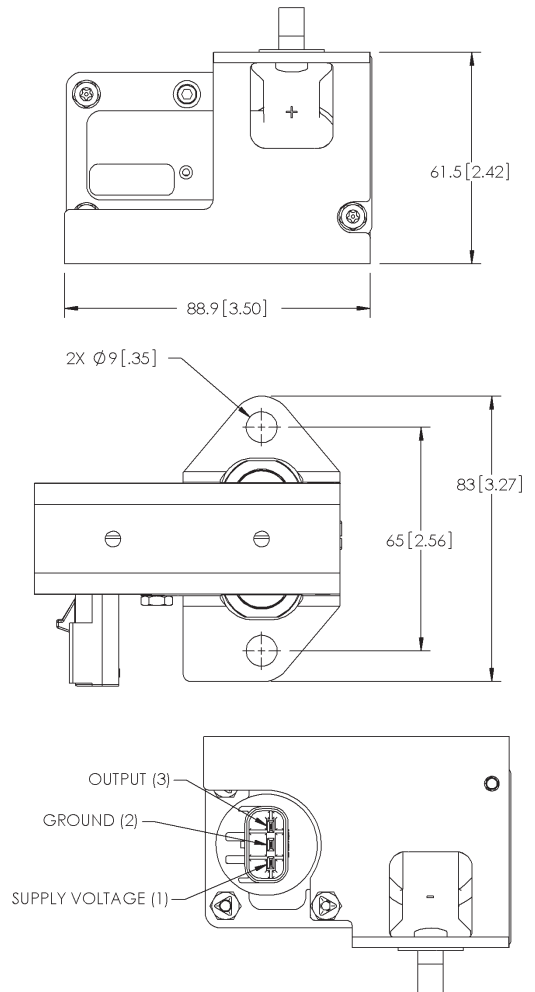
The P321 series of Wet Wet Differential Pressure Sensors use a 5 Vdc input to measure the differential pressure between two pressure ports, providing a 0.5 to 4.5 Vdc output proportional to pressure. Incorporating an oil-filled capacitive sense element, these sensors are able to withstand vacuum (negative) pressures as well as high common mode pressures. The large diaphragm protects these sensors from the accumulation of soot and other harsh materials.

Packaged in Ultem 2000 Series Plastic and using a carbon steel metal bracket as its mounting feature, the P321 is rugged and durable by design. It is temperature compensated to meet the accuracy requirements of the customer, and is rated to perform continuously at temperatures up to 125°C.

Specifically intended to withstand high common mode pressures, high vibration environments, and with its resistance to soot and other acidic media, the P321 pressure sensor delivers the optimal solution without compromising performance or reliability.

## Technical Specifications

<b>Pressure Ranges:</b>	5 PSI Differential range to 50 PSI Differential range
<b>Proof Pressure:</b>	45 PSI Differential (High Side) 30 PSI Differential (Low Side)
<b>Burst Pressure:</b>	100 PSI Differential (High Side) 100 PSI Differential (Low Side)
<b>Electrical Specs</b>	
<b>Supply Voltage:</b>	5.0 Vdc $\pm$ 0.25 Vdc
<b>Supply Current:</b>	<5mA
<b>Nominal Output Voltage:</b>	
Zero/Null Pressure:	0.5 Vdc
Full Pressure:	4.5 Vdc
Span:	4.0V
<b>Sensing Technology:</b>	Oil-Filled Capacitive
<b>Main Seal:</b>	Fluorosilicone or Fluorocarbon
<b>Media Compatibility:</b>	Exhaust
<b>Operating Temperature:</b>	-40C to 125C
<b>Typical Accuracy:</b>	2%
<b>Response/Start up Time:</b>	100ms to 140ms at 63% Level
<b>Output Impedance:</b>	<100 ohms
<b>Mechanical Specs</b>	
<b>Housing Material:</b>	Ultem 2000 Series Plastic
<b>Operating Temperature Range:</b>	-40C to +125C
<b>Typical Electrical Connector:</b>	Framatone FCI Connector



Dimensions in: mm [inches]



Before installation and operation, ensure that the appropriate pressure sensor has been selected in terms of pressure range, design and specific measuring conditions. Non-compliance can result in serious injury and/or damage to the equipment.

**Don't see what you want?**  
Call us at +1 (619) 710-2068 to customize this product  
to meet your application-specific needs!

Warning: The product information contained in this catalogue is given purely as information and does not constitute a representation, warranty or any form of contractual commitment. Kavlico reserve the right to modify their products without notice. It is imperative that we should be consulted over any particular use or application of our products and it is the responsibility of the buyer to establish, particularly through all the appropriate tests, that the product is suitable for the use or application. Under no circumstances will our warranty apply, nor shall we be held responsible for any application (such as any modification, addition, deletion, use in conjunction with other electrical or electronic components, circuits or assemblies, or any other unsuitable material or substance) which has not been expressly agreed by us prior to the sale of our products.

© 2016 Kavlico. All rights reserved.