

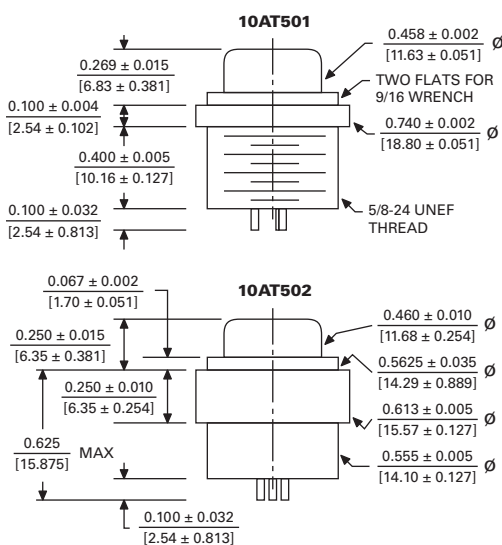
# KLIXON® | 10AT / 11AT / 12AT Series

## Hermetic Control Switch Packages

### INTRODUCTION

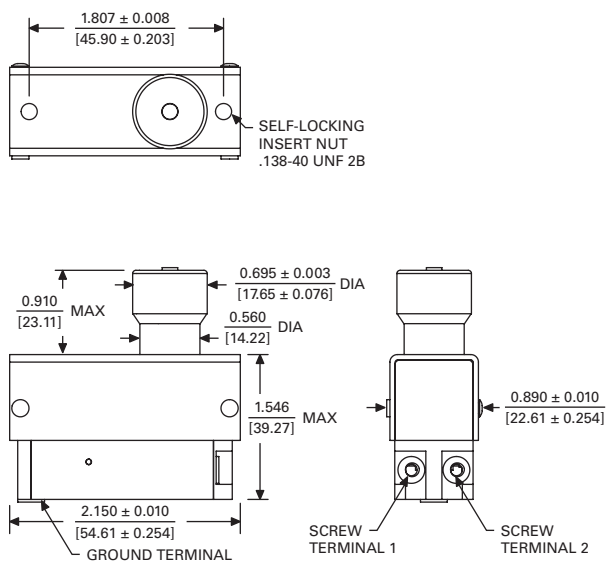
The Klixon® 10AT series are stainless steel, hermetic position limit switches, Klixon® 11AT and 12AT series are position control switches. All are ideal for extremely harsh and demanding environments as found in aircraft, military, aerospace, and aircraft engines applications. Klixon® precision hermetic position switches have been used for over 40 years in a wide range of applications, and can be found on virtually all commercial and military aircraft, as well as various space vehicles and satellites worldwide.

SPECIFICATIONS	
<b>Current Rating (Resistance   Inductive   Lamp)</b>	4 amps, 28VDC   1 amp, 28VDC   2 amp, 28VDC
<b>Dielectric Strength</b>	1050 volts (RMS) Terminal to Case, 800 volts (RMS) Terminal to Terminal
<b>Life Cycles</b>	25,000 cycles @ rated load, mechanical life of 100,000 cycles
<b>Ambient Temperature Range</b>	-85°F to +275°F (-65°C to +135°C)
<b>Seal</b>	Hermetic per MIL-PRF-8805, design enclosure 5
<b>Max Leak Rate</b>	1x10 <sup>-8</sup> C.C. std. HE/sec @ 1 ATM differential
<b>Voltage Drop at 1 amp</b>	0.040 volts max
<b>Insulation</b>	100 megaohms min
<b>Vibration Resistance</b>	65G, 10-2000Hz, .5 DA or 65 G RMS
<b>Shock Resistance</b>	200 G, 6 ms sawtooth



### HERMETIC PUSH BUTTON MOMENTARY SWITCH

	Basic Switch & Actuator/Body Style		Button Color	Operation	Termination	Lead Length
	10AT501	10AT502				
<i>Actuating Force (max)</i>	40 oz	24 oz	1 Red	0 SPDT	1 Solder Pins 2 Parallel Leads	1 6" (153mm)
<i>Pretravel (max)</i>		.040" (1.02mm)	2 Black	1 SPDT, N.C.		2 12" (305mm)
<i>Movement Diff. (max)</i>		.030" (.76mm)	3 Gray	2 SPDT, N.O.	3 18" (458mm)	
<i>Total Travel (min)</i>	.050" (1.27mm)	.125" (3.18mm)			4 24" (610mm)	
<i>Max Force on Actuator</i>	10 lbs	10 lbs			5 30" (762mm)	
<i>Approx Weight</i>	0.80 oz	0.80 oz			6 36" (915mm)	
					7 42" (1067mm)	
					8 48" (1220mm)	
					9 60" (1524mm)	
					10 72" (1829mm)	



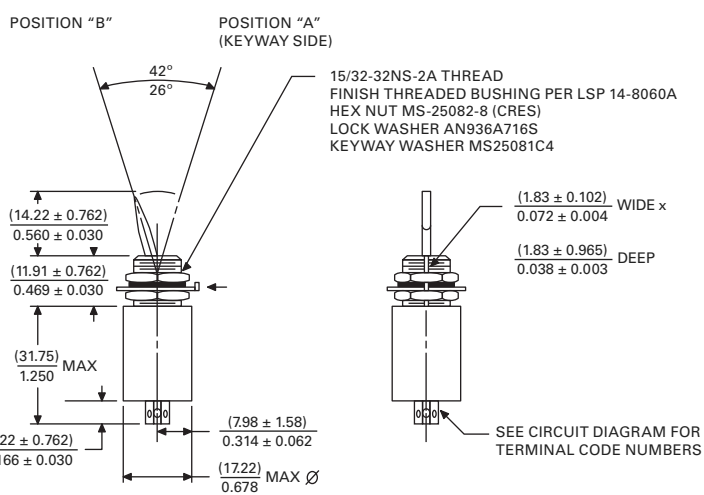
### FOOT SWITCH (CONTROL SWITCH)

10AT504 - 5 1 - 5

Basic Switch & Actuator/Body Style	Operation	Termination	Lead Length
<b>10AT504</b>	<b>5</b> DPST, N.O.	<b>1</b> Screws	<b>1</b> 6" (153mm)
			<b>2</b> 12" (305mm)
			<b>3</b> 18" (458mm)
			<b>4</b> 24" (610mm)
			<b>5</b> 30" (762mm)
			<b>6</b> 36" (915mm)
			<b>7</b> 42" (1067mm)
			<b>8</b> 48" (1220mm)
			<b>9</b> 60" (1524mm)
			<b>10</b> 72" (1829mm)

Actuating Force (max)  
Pretravel (max)  
Movement Diff. (max)  
Total Travel (min)  
Positive Overtravel Stop  
Max Force on Actuator  
Approx Weight

112 to 176 oz
.090" (2.29mm)
.050" (1.27mm)
.165" (4.19mm)
Yes
20 lbs
0.9 oz



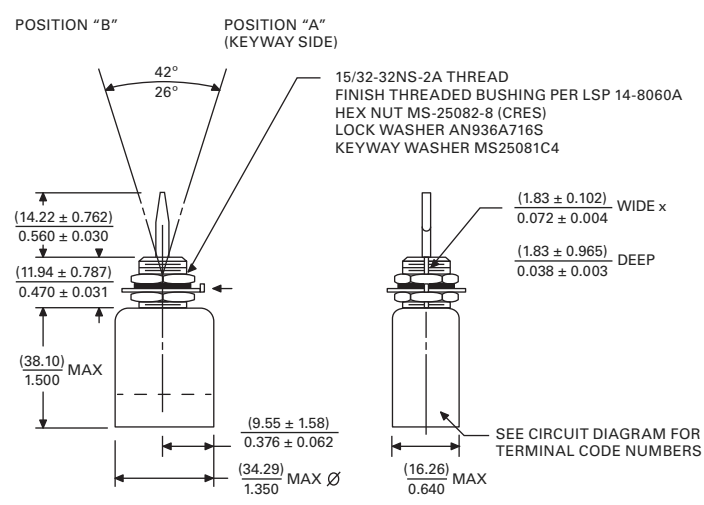
### TOGGLE SWITCH

11AT1 - 0 1

Basic Switch & Actuator/Body Style	Operation	Termination
<b>11AT1</b>	<b>0</b> SPDT	<b>1</b> Solder Pins
112 to 176 oz	<b>1</b> SPST, N.C.	
3.5A (res) / 1.5A (ind)	<b>2</b> SPST, N.O.	

Actuating Force  
Current Capacity (28Vdc)

Toggle Position	Toggle Action	Circuit
POSITION "A"	MAINTAINED	
POSITION "B"	MAINTAINED	



### TOGGLE SWITCH, SP3T

12AT1 - 3 1

Basic Switch & Actuator/Body Style	Operation	Termination
<b>12AT1</b>	<b>3</b> SP3T	<b>1</b> Solder Pins
16 to 64 oz		
3.5A (res) / 1.5A (ind)		

Actuating Force  
Current Capacity (28Vdc)

Toggle Position	Toggle Action	Circuit
POSITION "A"	MAINTAINED	
CENTER	MAINTAINED	
POSITION "B"	MAINTAINED	