



Klixon® | 15HM SERIES MOTOR PROTECTORS

Hermetically Sealed Single Phase
On Winding Protection

PRODUCT OVERVIEW

The Klixon® 15HM Series hermetically sealed single phase on-winding motor protectors are a new generation product designed to meet the demands of tomorrow's compressors.

Features & Benefits

- High Reliability – 2 contact ratings
- Optional start winding protection
- Compact and rugged construction
- Meet rotary compressor high side pressure requirements
- Application range – 1 to 5 HP

Product Description

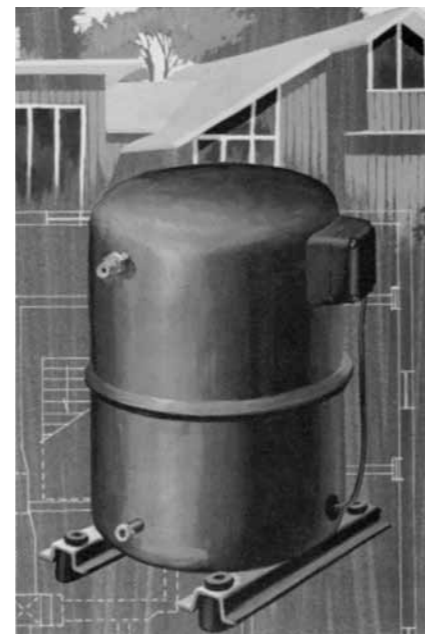
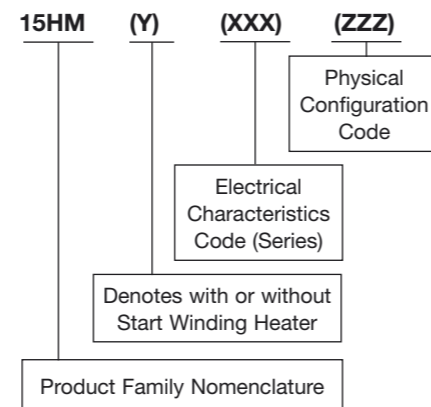
The 15HM family of motor protectors can be applied to unitary air conditioning and heat pump compressors ranging from 1 to 5 HP. They may also be used in commercial motors which must function in destructive or corrosive environments. Its compact and rugged design make it resistant to mechanical shock and suitable for installation directly on motor windings.

Line Break Operation

Klixon® 15HM motor protectors are line break automatic reset controls which are wired in series with and mounted on the motor windings. These protectors track winding temperatures and respond to changes in line current to afford protection against the wide variety of overload conditions listed below:

- Running overload
- High/low voltage locked rotor
- Loss of refrigerant charge
- Shorted capacitor
- High discharge temperature

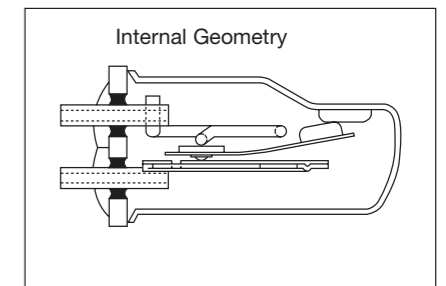
15HM Code System



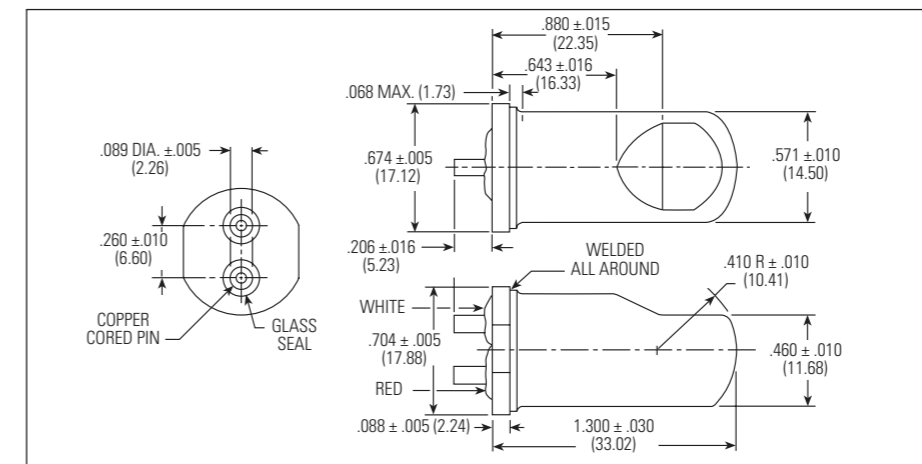
Protector Ratings

Series	Product Family	Start Winding	Line Voltage	Locked Rotor Current	HP Range
300	13XX	Yes	230V	*100 Amp	*1 - 3 1/2
	23XX	No			
600	16XX	Yes	230V	*140 Amp	*3 1/2 - 5
	26XX	No			

*To be used as a guide for selection only, consult factory for specific life test data.



Dimensions (Metric Dimensions in Parenthesis)



Specifications

Open Temperature 90°C - 150°C
in 5°C increments
Tolerance ±5°C Open
±9°C Close

Epoxy protected glass seals
Optional terminations
U/L Recognized-File E15962, Sec 42
CSA Certified-File LR11372, Sec LLL

VDE approval with factory surveillance
15HMXXX-XX
16(16MAX100) ~
250
Overheat protection, T200

Circuit Diagram

