



Klixon® | 16HM SERIES MOTOR PROTECTORS

Hermetically Sealed Single Phase
On Winding Protection

PRODUCT OVERVIEW

The Klixon® 16HM series hermetically sealed single phase on-winding motor protectors are a new generation product designed to meet the demands of tomorrow's compressors. The 16HM family of motor protectors can be applied to air conditioning compressors ranging from 2 to 6HP*.

Features & Benefits

- Direct line break
- Automatic reset
- Compact and rugged construction
- Provides start winding protection
- Meets scroll and high side compressor requirements
- Application range - 2HP to 6HP*
- Tamperproof protection
- Hermetically sealed

Product Description

The 16HM utilizes two internal heaters. One of them is sensitive to start winding current and the other is sensitive to main winding current. The device can protect against start winding overheating and against conditions which generate high main winding currents. Its compact and rugged design make it resistant to mechanical shock and suitable for installation directly on motor windings.

Line Break Operation

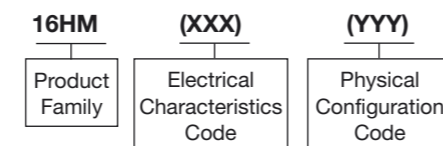
Klixon® 16HM motor protectors are line break automatic reset controls which are wired in series with the motor windings.

These protectors are designed to track winding temperatures and to respond to changes in line current.

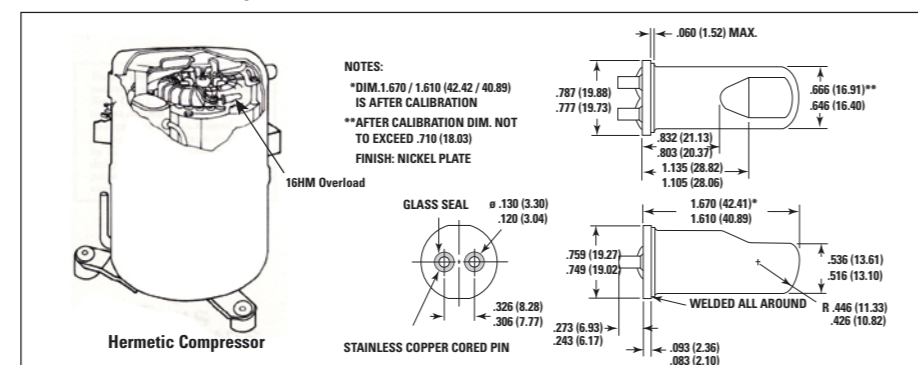
When properly applied, the 16HM can provide protection against motor overheating under the following conditions:

- Running overload
- High/low voltage locked rotor
- High voltage light load
- Loss of refrigerant charge
- Welded start relay
- Shorted capacitor
- Blocked condenser fan

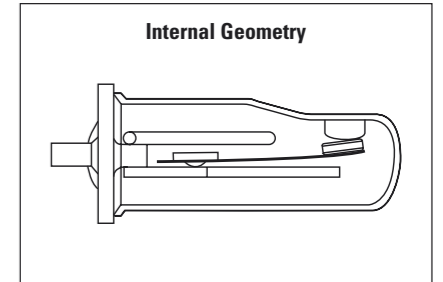
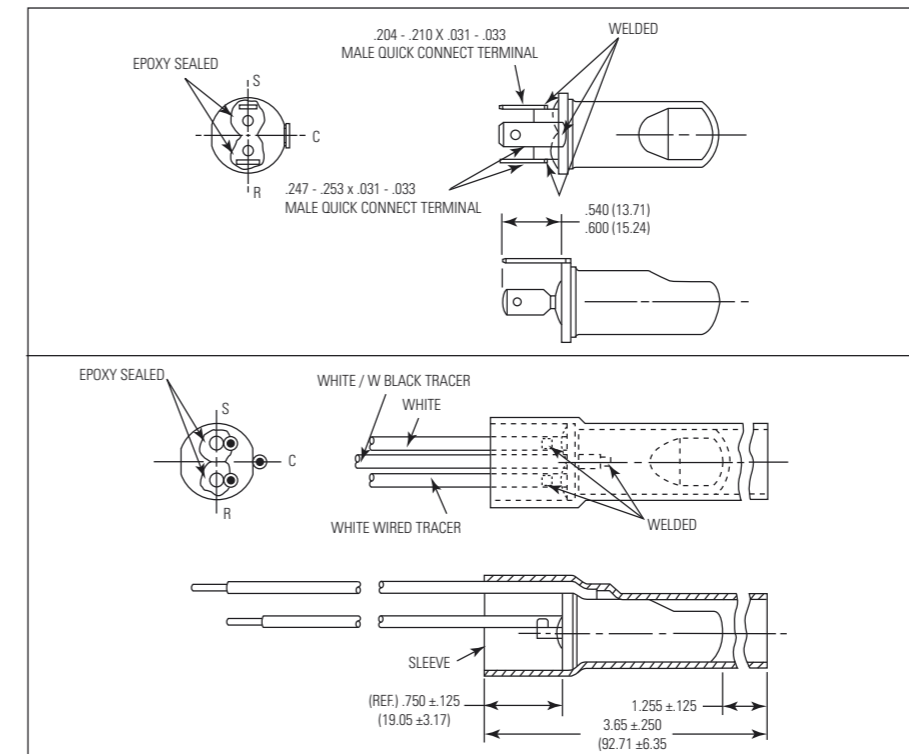
16HM Code System



Basic 16HM Envelope



16HM Termination Styles



Protector Rating

Series	Line Voltage	Lock Rotor Current
16HM 1XX	230V	*165 Amps

*To be used as a guide for selection only, consult factory for specific life test data.

Specifications

Open Temperature 95°C - 155°C
 in 5°C increments
 Tolerance ±5°C Open
 ±9°C Close

Several termination options
 U/L Recognized-File E15962
 CSA Certified-File LR11372

Circuit Diagram

