



## Klixon® | 34HM SERIES MOTOR PROTECTORS

*Hermetically Sealed On-Winding, 3-Phase*

### PRODUCT OVERVIEW

The Klixon® 34HM on-winding motor protector is a 3-phase line break, automatic reset device which interrupts line current at the centerpoint of a WYE (Star) wound motor.

Compliant with European Directive 2002/95/EC Restrictions On Use of Hazardous Substances (RoHS)

### Features & Benefits

- Protect WYE (Star) wound 3-phase motors from 1 to 6HP. Used in refrigeration compressors, submersible pumps and other restrictive environments.
- In-line protection in a small, rugged, welded construction. Low profile shape allows for close coupling to motor windings.
- Hermetic reliability designed for leakage rates less than  $1 \times 10^{-9}$  cc per second of air with 1 atmosphere pressure differential.
- Klixon® snap-action discs assure positive make and break action and controlled temperature differential.
- Designed for low and high side pressure applications.

This protector is designed to protect 3-phase refrigeration and air conditioning compressor motors from excessive winding temperature; however, applications may be made to any WYE wound 3-phase motors where environmental conditions require a hermetic seal. The low profile permits the device to be installed directly on motor windings for closely coupled temperature monitoring, thus enhancing over-temperature protection against loss of refrigeration charge, low voltage locked rotor, and secondary single-phasing (loss of phase).

*The basic element of the 34HM is the famous Klixon® Snap Acting Disc*

The 31HM, 32HM, and 33HM are designed to reduce installation costs by replacing pilot control systems with a simple, economical, compact device.

### Maximum Recommended Locked Rotor Current

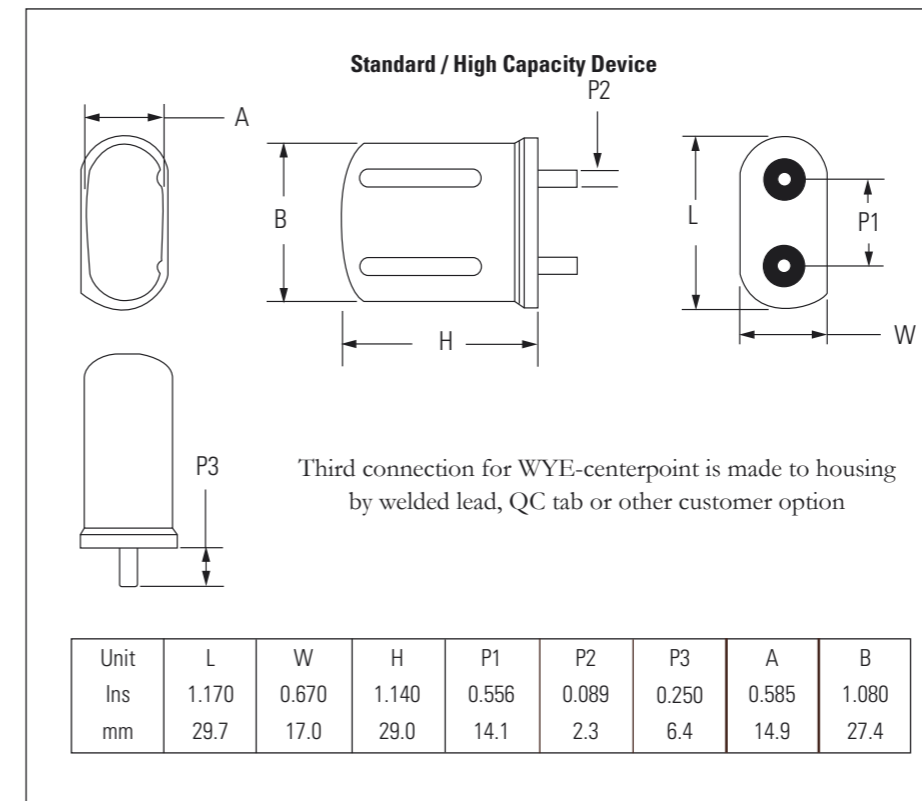
Standard Series			
1XX	2XX	3XX	
230V	380V	460V	575V
90A	55A	45A	35A

High Capacity Series			
4XX	5XX	6XX	
230V	380V	460V	575V
105A	80A	75A	60A

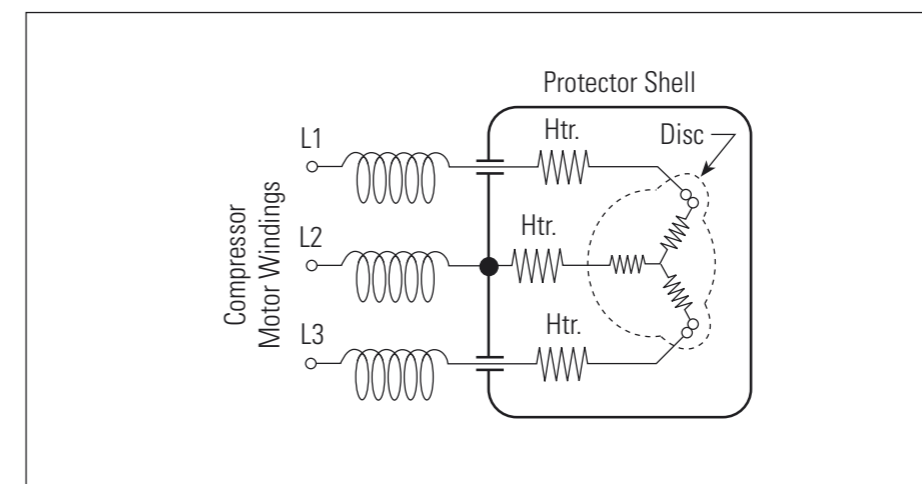
Current ratings are based on life test data which has demonstrated high reliability at 5K cycles (standard series) and 2K cycles (high capacity series) at 0.7 power factor on Sensata life test boards.

These capacities are intended as a guide for application work.

### 34HM Hermetic Motor Protector



### Electrical Schematic



**Standard Operating Temperature**  
**Opening Temperature**  
95°C to 175°C (5°C increments)  
Tolerance  $\pm 5^\circ\text{C}$

**Closing Temperature**  
to suit application  
Tolerance  $\pm 9^\circ\text{C}$

**Pressure Rating**  
1600 PSIG  
110 bar

UL & Canadian-UL File # E15692  
CQC File # CQC05002011992  
KEMA (ENEC) File # 2018218.08

### Coding System

When making an inquiry on Klixon® hermetically sealed motor protectors, be certain to specify the entire part number for your application, if known. The six digits following the series identification indicate your specific electrical and physical requirement.

