



# KLIXON® | 3SB SERIES

## Simulators, single-phase, low amp, quick trip

### FEATURES

- High shock and vibration performance
- Optional panel mount configuration, replaceable amp rating inserts (reference PN # 27515 when ordering), auxiliary switch

### DESCRIPTION

The Klixon® 3SB series simulator circuit breaker was developed by Sensata Technologies to meet the growing needs of the commercial and military simulator industry. Due to the high operational cost of live training, more and more training is being conducted on simulators. The realism and complexity of tomorrow's simulators will require a circuit breaker that can provide the same "look and feel" of industry accepted circuit breakers in order to create a superior training environment.

The 3SB electromechanical devices provide fast trip response with low current draw at 28 VDC. For adaptability to aircraft cockpit panel mounting, they are packaged in a standard MS 26574 style thermal circuit breaker configuration. This fast trip/low current performance provides the opportunity for system level savings. It enables the designer to potentially downsize the system power source and eliminate expensive I/O boards or other electronics while also reducing the amount of cabling required. Changes in training schemes normally entail system rewiring to reconfigure the simulator, which becomes labor intensive and costly. With the incorporation of a 3SB device the training changes can easily be achieved through system software without the time and cost associated with rewiring.

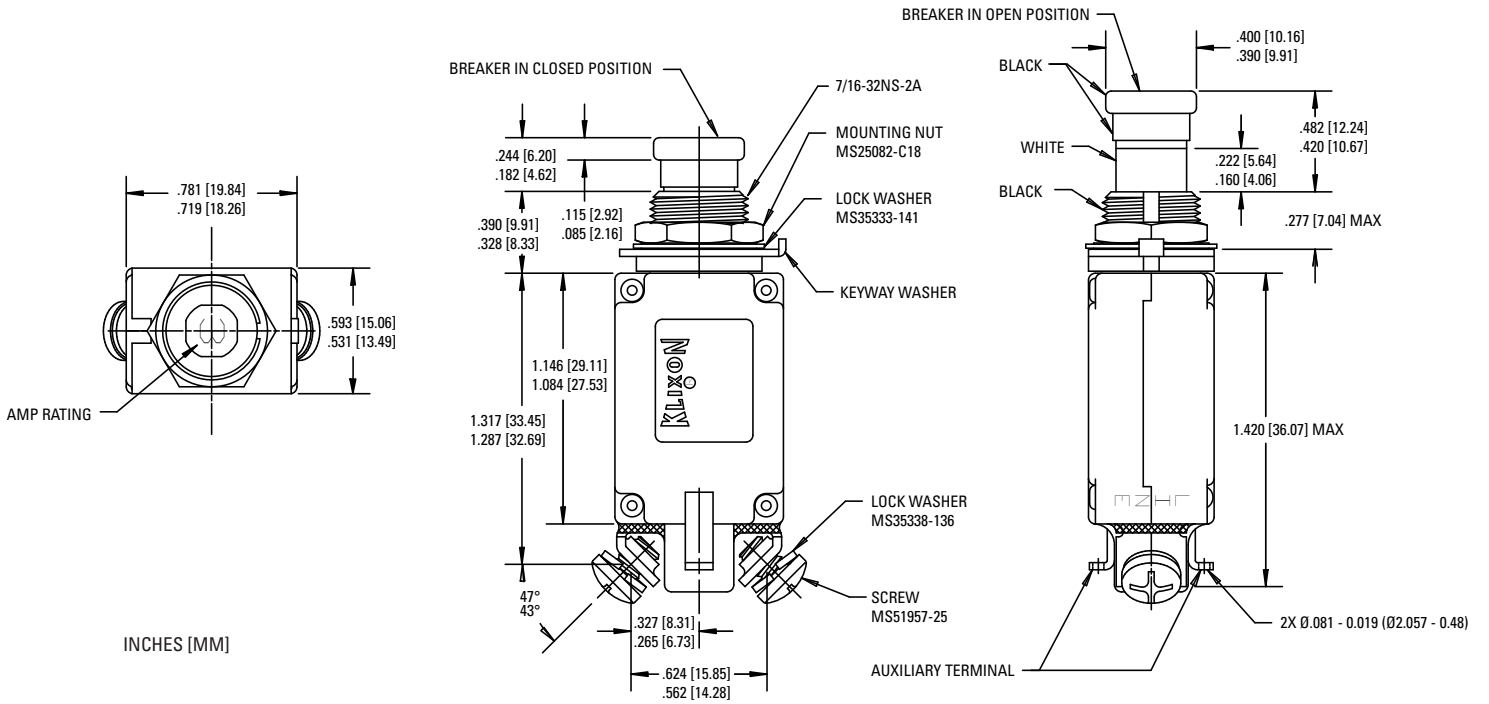
Klixon simulator circuit breakers also provide the same tactile feel as standard Mil qualified breakers for superior training realism. Klixon circuit breakers offer flexibility by offering replaceable ampere rating inserts. (To order different amp rating insert tabs, reference part number 27515.) Attached to the top of the push button actuator, they match the current rating used in the actual aircraft. These inserts can be rotated within the push button to meet your cockpit configuration needs. An optional auxiliary switch for remote indications and a variety of connection alternatives are also available.

PERFORMANCE CHARACTERISTICS	
Calibration : 200% rated current, 77°F (25°C)	200mA max, current draw @ 28VDC 3 seconds max trip time
Endurance	25,000 cycles : Mechanical, no load 1,000 cycles : Electrical trip cycles (min @ 28 VDC)
Vibration Resistance**	5G maximum, 50 - 500 Hz
Mechanical Shock Resistance	5G
Acceleration	5G
Open & Reset Force	5 lb maximum
Weight	30 grams maximum

ORDERING INFORMATION
Sensata PN
3SB2 -1- XX <i>N= no amp rating</i>
3SB2-1- XX <i>amp rating standard device</i>
3SB4-1-XX <i>auxiliary device</i>

# DIMENSIONAL DRAWINGS - 3SB4

INCHES [MM]



INCHES [MM]

## MIL Approved KLIXON® Aircraft Circuit Breakers

MS #	Sensata #	Page	MS #	Sensata #	Page	MS #	Sensata #	Page
MS 3320	2TC2	6	MS 14154V	6TC63	14	MS 26574	7274-2	16
MS 3320L	2TC27	6	MS 5809/1	2TC49	8	MS 26574A	7274-4	16
MS 3320V	2TC63	6	MS 24571	6752-12	20	MS 26574L	7274-70	16
MS 14105	3TC2	10	MS 24571V	6752-12	20	MS 24509A	7270-1	22
MS 14105L	3TC27	10	MS 25361	6752-100	20	MS 24509B	7270-7	22
MS 14153	9TC2	14	MS 25361V	6752-102	20	MS 24510A	7271-8	22
MS 14154	6TC2	14	MS 22073	7274-11	16	MS 24510B	7271-3	22
MS 14154L	6TC37	14	MS 22073V	7274-69	16	MS 25244	3TC7	10

### ADDITIONAL SENSATA PRODUCTS FOR AEROSPACE & MILITARY



AIRPAX™ hydraulic-magnetic circuit breakers provide amperages up to 300 amp, voltages up to 300VDC / 600VAC, and interrupt capacities up to 50,000 amps. AIRPAX™ circuit breakers and protectors are available in hermetically or environmentally sealed packages, with an extensive offering of terminal, handle and auxiliary switch options.

*Product Series: AP/MIL, APL, APG, IAG, 205, IAL, LEL, 209*



DIMENSIONS™ DC to AC power inverters are becoming the product of choice for operating sophisticated electronic equipment when grid power is not available. DIMENSIONS™ single-phase and three phase quasi-sine waveform units with input voltages ranging from 12 to 300VDC and continuous output power ranges from 100 to 12,000 watts. DIMENSIONS™ pure sine wave units are available with 12, 24, or 48VDC inputs and outputs ranging from 250 to 10,000 watts.