

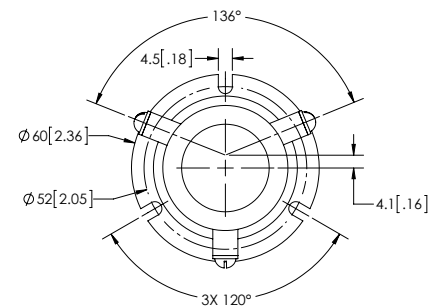
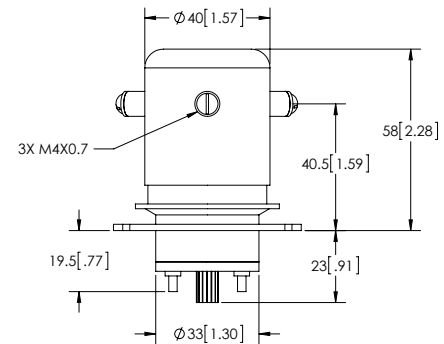
FEATURES

- > Durable contacts improve load switching capability**
- > Excellent choice for high power RF or DC applications
- > Mounting options in any axis
- > Convenient threaded HV connections

PRODUCT SPECIFICATIONS

Contact & Relay Ratings	Units	G9
Contact Form		C
Contact Arrangement		SPDT
Contact Material (moveable/stationary)		molybdenum /copper
Dielectric		Vacuum
Voltage, Test Max., Contacts & to Base (15 µA Leakage Max.) dc or 60Hz	kV Peak	22
Voltage, Operating Max., Contacts & to Base (15 µA Leakage Max.)		
dc or 60 Hz	kV Peak	20
2.5 MHz	kV Peak	15
16 MHz	kV Peak	13
32 MHz	kV Peak	10
Current, Load Switching		Contact factory**
Current, Continuous Carry Max		
dc or 60 Hz	Amps	75
2.5 MHz	Amps	35
16 MHz	Amps	22
32 MHz	Amps	17
Coil Hi-Pot (V RMS, 60 Hz)	V	500
Capacitance		
Across Open Contacts	pF	.05
Contacts to Ground	pF	3.5
Resistance, Contact Max @ 1A, 28 Vdc	ohms	0.010
Operate Time	ms	30
Release Time	ms	8
Life, Mechanical	cycles	1 million
Weight, Nominal	g (oz)	300 (11)
Vibration, Operating, Sine (55-500 Hz Peak)	G's	10
Shock, Operating, 1/2 Sine 11ms (Peak)	G's	50
Temperature Ambient Operating	°C	-55 to +125

** Consult factory for load switching applications.



COIL RATINGS

Nominal, Volts dc	12	26.5
Pick-up, Volts dc, Max.	8	16
Drop-Out, Volts dc	.5 - 5	1 - 10
Coil Resistance (Ohms ±10%)	48	190

PART NUMBER SYSTEM

G9	S	F	
High Voltage/Power Terminal Connections	W = Screw		
Mounting		F = Flange	
Coil Voltage*			Blank = 26.5 Vdc -12Vdc = 12Vdc

* Order the relay with the coil voltage in the part number as shown above. The coil voltage will appear on the coil plate near the coil terminals rather than in the P/N on the relay.