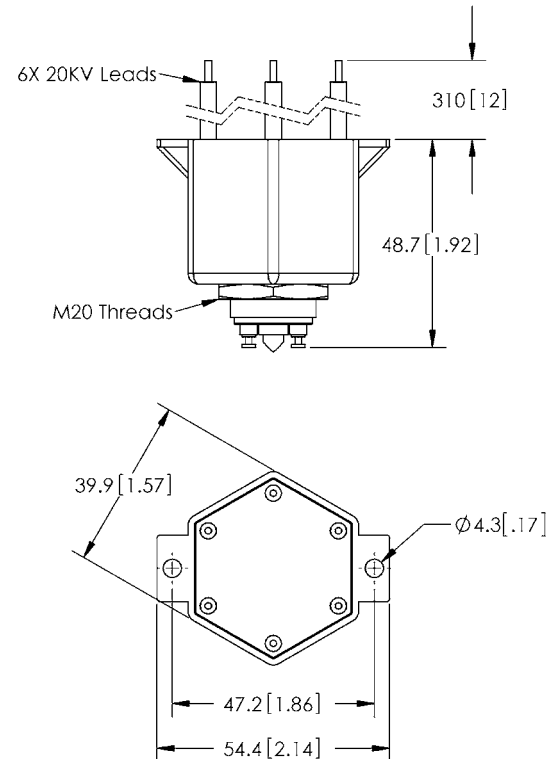


### FEATURES

- > Durable tungsten contacts improve load switching capability
- > Insulated flying leads make connection easy. Custom lengths available.
- > Mounting options in any axis

### PRODUCT SPECIFICATIONS

Contact & Relay Ratings	Units	G13L
<b>Contact Form</b>		2C - Latch
<b>Contact Arrangement</b>		DPDT
Contact Material (moveable/stationary)		molybdenum /tungsten
Dielectric		Inert Gas
<b>Voltage, Test Max., Contacts &amp; to Base (15 µA Leakage Max., dc or 60Hz)</b>	kV Peak	17
<b>Voltage, Operating Max., Contacts &amp; to Base (15 µA Leakage Max.) dc or 60 Hz</b>	kV Peak	15
<b>Current, Load Switching</b>		Contact Factory**
<b>Current, Continuous Carry Max</b> dc or 60 Hz	Amps	10
<b>Coil Hi-Pot (V RMS, 60 Hz)</b>	V	500
<b>Capacitance</b>		
Across Open Contacts	pF	.5
Contacts to Ground	pF	1
<b>Resistance, Contact Max @ 1A, 28 Vdc</b>	ohms	1.0
<b>Latch Time</b>	ms	15
<b>Reset Time</b>	ms	9
<b>Life, Mechanical</b>	cycles	1 million
<b>Weight, Nominal</b>	g (oz)	140 (5)
<b>Vibration, Operating, Sine (55-500 Hz Peak)</b>	G's	10
<b>Shock, Operating, 1/2 Sine 11ms (Peak)</b>	G's	50
<b>Temperature Ambient Operating</b>	°C	-55 to +85



### COIL RATINGS

<b>Nominal, Volts dc</b>	<b>26.5</b>
Latch, Volts dc, Max.	16
Reset, Volts dc	1 - 10
Coil Resistance (Ohms ±10%)	

### PART NUMBER SYSTEM

<b>G13L</b>	
<b>Coil Voltage*</b>	<b>Blank = 26.5 Vdc</b>

\* Order the relay with the part number as shown. The latching "L" designator and the coil voltage will not appear in the P/N on the relay but will be indicated on the label that is on the base of the relay. Observe coil polarity.

\*\* Consult factory for load switching applications