

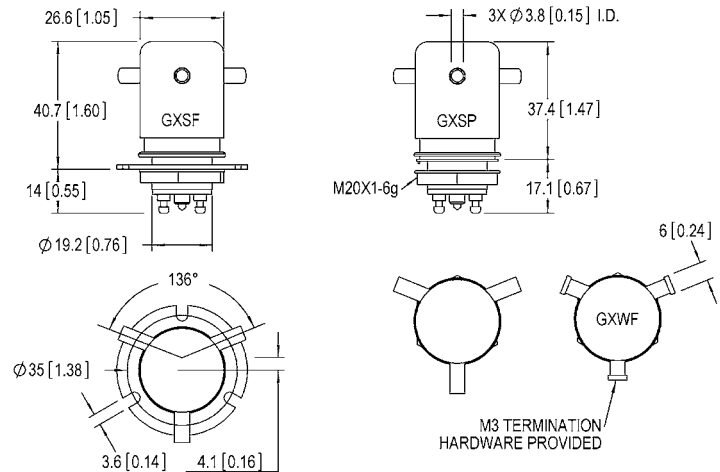
## FEATURES

- > Durable tungsten contacts with internal shield improve load switching capability
- > Vacuum dielectric provides make and break load switching capability
- > Mounting options in any axis
- > Solder or convenient threaded HV connections



## PRODUCT SPECIFICATIONS

Contact & Relay Ratings	Units	G18
<b>Contact Form</b>		C
<b>Contact Arrangement</b>		SPDT
Contact Material (moveable/stationary)		molybdenum /tungsten
Dielectric		Vacuum
<b>Voltage, Test Max., Contacts &amp; to Base (15 µA Leakage Max.)</b> dc or 60Hz	kV Peak	17
<b>Voltage, Operating Max., Contacts &amp; to Base (15 µA Leakage Max.)</b> dc or 60 Hz	kV Peak	15
<b>Current, Load Switching</b>		see table below
<b>Current, Continuous Carry Max</b> dc or 60 Hz	Amps	30
<b>Coil Hi-Pot (V RMS, 60 Hz)</b>	V	500
<b>Capacitance</b>		
Across Open Contacts	pF	.05
Contacts to Ground	pF	1
<b>Resistance, Contact Max @ 1A, 28 Vdc</b>	ohms	0.025
<b>Operate Time</b>	ms	15
<b>Release Time</b>	ms	9
<b>Life, Mechanical</b>	cycles	1 million
<b>Weight, Nominal</b>	g (oz)	84 (3)
<b>Vibration, Operating, Sine (55-500 Hz Peak)</b>	G's	10
<b>Shock, Operating, 1/2 Sine11ms (Peak)</b>	G's	50
<b>Temperature Ambient Operating</b>	°C	-55 to +125



## COIL RATINGS

Nominal, Volts dc	12	26.5	115
Pick-up, Volts dc, Max.	8	16	80
Drop-Out, Volts dc	.5 - 5	1 - 10	5 - 50
Coil Resistance (Ohms ±10%)	48	180	2900

## PART NUMBER SYSTEM

G18	S	P	
<b>High Voltage/Power Terminal Connections</b>	S = Solder Pot W = Screw		
<b>Mounting</b>		P = Through Panel F = Flange	
<b>Coil Voltage*</b>			Blank = 26.5 Vdc -12Vdc = 12Vdc -115Vdc = 115Vdc

## MAKE & BREAK RESISTIVE LOAD RATINGS\*\*

DC Voltage	Current (A)	Load Life (cycles)
330V	17	10,000
330V	5	100,000
5kV	2	100,000
10kV	1	50,000

\*\* Ratings shown are for the normally closed contact. Consult factory for normally open contact ratings.

\* Order the relay with the coil voltage in the part number as shown above. The coil voltage will appear on the coil plate near the coil terminals rather than in the P/N on the relay.