

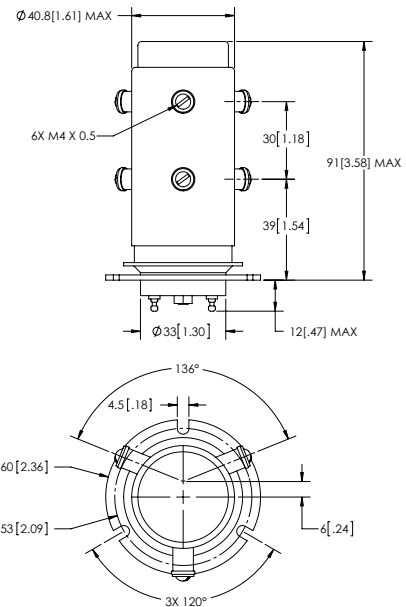


### FEATURES

- > Tungsten/Moly contacts provide optimal load switching capability\*\*
- > Gas dielectric provides low and stable leakage current
- > Mounting options in any axis

### PRODUCT SPECIFICATIONS

Contact & Relay Ratings	Units	G24
Contact Form		2C
Contact Arrangement		DPDT
Contact Material (moveable/stationary)		molybdenum /tungsten
Dielectric		Inert Gas
Voltage, Test Max., Contacts & to Base (15 µA Leakage Max.) dc or 60Hz	kV Peak	23
Voltage, Operating Max., Contacts & to Base (15 µA Leakage Max.) dc or 60 Hz	kV Peak	20
Current, Load Switching		Contact factory**
Current, Continuous Carry Max dc or 60 Hz	Amps	30
Coil Hi-Pot (V RMS, 60 Hz)	V	500
Resistance, Contact Max @ 1A, 28 Vdc	ohms	1.0
Operate Time	ms	30
Release Time	ms	10
Life, Mechanical	cycles	1 million
Weight, Nominal	g (oz)	380 (14)
Vibration, Operating, Sine (55-500 Hz Peak)	G's	10
Shock, Operating, 1/2 Sine 11ms (Peak)	G's	50
Temperature Ambient Operating	°C	-55 to +125



### COIL RATINGS

Nominal, Volts dc	12	26.5
Pick-up, Volts dc, Max.	8	16
Drop-Out, Volts dc	.5 - 5	1 - 10
Coil Resistance (Ohms $\pm 10\%$ )	60	240

### PART NUMBER SYSTEM

G24	W	F	
High Voltage/ Power Terminal Connections	W = Screw		
Mounting		F = Flange	
Coil Voltage*			Blank = 26.5 Vdc -12Vdc = 12Vdc

\* Order the relay with the coil voltage in the part number as shown above. The coil voltage will appear on the coil plate near the coil terminals rather than in the P/N on the relay.

\*\* Consult factory for load switching applications.