

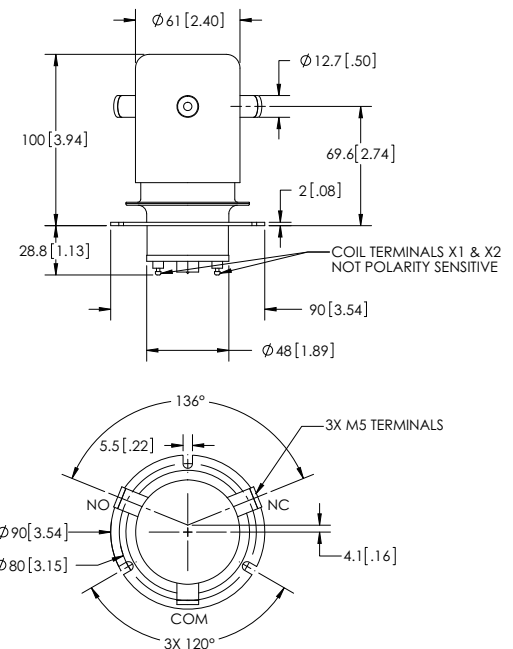
### FEATURES

- > High current carry in a small package
- > Low stable contact resistance minimizes loss in RF circuits
- > Mounting options in any axis
- > Threaded HV terminals provide easy and secure connection

### PRODUCT SPECIFICATIONS

Contact & Relay Ratings	Units	G52
<b>Contact Form</b>		C
<b>Contact Arrangement</b>		SPDT
Contact Material (moveable/stationary)		molybdenum /copper
Dielectric		Vacuum
<b>Voltage, Test Max., Contacts &amp; to Base (15 µA Leakage Max.)</b> dc or 60Hz	kV Peak	30
<b>Voltage, Operating Max., Contacts &amp; to Base (15 µA Leakage Max.)</b>		
dc or 60 Hz	kV Peak	25
2.5 MHz	kV Peak	15
13.56 MHz	kV Peak	10
32 MHz	kV Peak	7
<b>Current, Load Switching</b>		Contact factory**
<b>Current, Continuous Carry Max</b>		
dc or 60 Hz	Amps	150
2.5 MHz	Amps	120
13.56 MHz	Amps	75
32 MHz	Amps	30
<b>Coil Hi-Pot (V RMS, 60 Hz)</b>	V	500
<b>Capacitance</b>		
Across Open Contacts	pF	5
Contacts to Ground	pF	5
<b>Resistance, Contact Max @ 1A, 28 Vdc</b>	ohms	0.003
<b>Operate Time</b>	ms	100
<b>Release Time</b>	ms	15
<b>Life, Mechanical</b>	cycles	1 million
<b>Weight, Nominal</b>	g (oz)	1000 (35)
<b>Vibration, Operating, Sine (55-500 Hz Peak)</b>	G's	10
<b>Shock, Operating, 1/2 Sine 11ms (Peak)</b>	G's	30
<b>Temperature Ambient Operating</b>	°C	-55 to +125
<b>Maximum Terminal Temperature</b>	°C	200

\*\* Consult factory for load switching applications.



### COIL RATINGS

Nominal, Volts dc	12	26.5
Pick-up, Volts dc, Max.	8	16
Drop-Out, Volts dc	.5 - 5	1 - 10
Coil Resistance (Ohms ±10%)	15	60

### PART NUMBER SYSTEM

G52	W	F	
<b>High Voltage/Power Terminal Connections</b>	W = Screw		
<b>Mounting</b>		F = Flange	
<b>Coil Voltage*</b>			Blank = 26.5 Vdc -12Vdc = 12 Vdc

\* Order the relay with the part number as shown. The latching "L" designator and the coil voltage will not appear in the P/N on the relay but will be indicated on the label that is on the base of the relay. Observe coil polarity.