

FEATURES

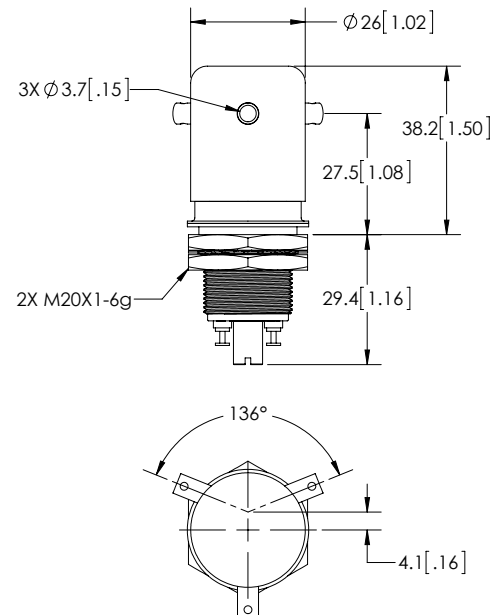
- > Gas dielectric excellent for effectively bounceless make load applications**
- > Excellent for capacitive discharge and safety dump switch applications
- > Mounting options in any axis
- > Unglazed ceramic housing simplifies custom encapsulation

PRODUCT SPECIFICATIONS

Contact & Relay Ratings	Units	G60C
Contact Form		C
Contact Arrangement		SPDT
Contact Material (moveable/stationary)		molybdenum /tungsten
Dielectric		Inert Gas
Voltage, Test Max., Contacts & to Base (15 µA Leakage Max.) dc or 60Hz	kV Peak	40***
Voltage, Operating Max., Contacts & to Base (15 µA Leakage Max.) dc or 60 Hz	kV Peak	35***
Current, Load Switching		Contact factory**
Current, Continuous Carry Max dc or 60 Hz	Amps	12
Coil Hi-Pot (V RMS, 60 Hz)	V	500
Resistance, Contact Max @ 1A, 28 Vdc	ohms	1.0
Operate Time	ms	15
Release Time	ms	15
Life, Mechanical	cycles	1 million
Weight, Nominal	g (oz)	84 (3)
Vibration, Operating, Sine (55-500 Hz Peak)	G's	10
Shock, Operating, 1/2 Sine 11ms (Peak)	G's	50
Temperature Ambient Operating	°C	-55 to +125

COIL RATINGS

Nominal, Volts dc	12	26.5	115
Pick-up, Volts dc, Max.	9	18	90
Drop-Out, Volts dc	.5 - 5	1 - 10	5 - 50
Coil Resistance (Ohms ±10%)	30	125	2000



PART NUMBER SYSTEM

G60C	S	P	
High Voltage/ Power Terminal Connections	S = Solder Pot		
Mounting		P = Through Panel	
Coil Voltage*			Blank = 26.5 Vdc -12Vdc = 12Vdc -115Vdc = 115Vdc

- * Order the relay with the coil voltage in the part number as shown above. The coil voltage will appear on the coil plate near the coil terminals rather than in the P/N on the relay.
- ** Consult factory for load switching applications.
- *** Voltage ratings, Test Max and Operating Max, are based on customer supplied additional external isolation by encapsulation or immersion in a dielectric fluid.