

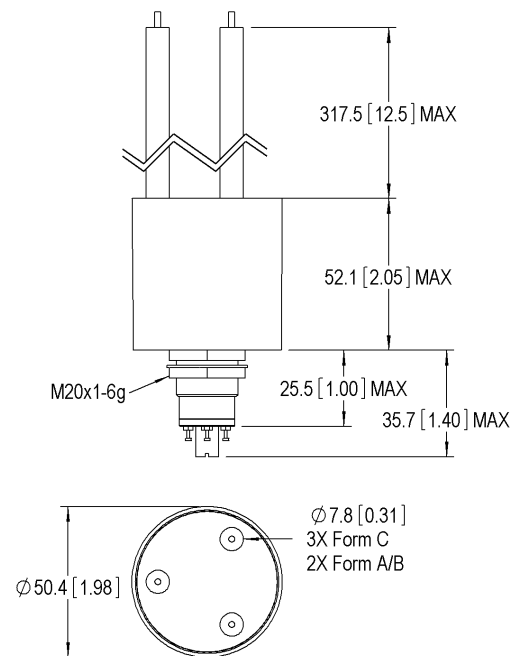
FEATURES

- > Compact design saves precious space while isolating 25kV
- > Latching coils for lower power consumption
- > Mounting options in any axis
- > Rugged HV wire leads means safe and easy installation



PRODUCT SPECIFICATIONS

Contact & Relay Ratings	Units	G62LC
Contact Form		R - latch
Contact Arrangement		SPDT
Contact Material (moveable/stationary)		molybdenum /tungsten
Dielectric		Inert Gas
Voltage, Test Max., Contacts & to Base (15 µA Leakage Max.) dc or 60Hz	kV Peak	30
Voltage, Operating Max., Contacts & to Base (15 µA Leakage Max.) dc or 60 Hz	kV Peak	25
Current, Load Switching		Contact factory**
Current, Continuous Carry Max dc or 60 Hz	Amps	18
Coil Hi-Pot (V RMS, 60 Hz)	V	500
Resistance, Contact Max @ 1A, 28 Vdc	ohms	0.5
Latch Time	ms	15
Reset Time	ms	15
Life, Mechanical	cycles	1 million
Weight, Nominal	g (oz)	336 (12)
Vibration, Operating, Sine (55-500 Hz Peak)	G's	10
Shock, Operating, 1/2 Sine11ms (Peak)	G's	20
Temperature Ambient Operating	°C	-55 to +85



COIL RATINGS

Nominal, Volts dc	26.5
Pick-up, Volts dc, Max.	18
Drop-Out, Volts dc	1 - 10
Coil Resistance (Ohms ±10%)	180

* Order the relay with the part number as shown. The latching "L" designator and the coil voltage will not appear in the P/N on the relay but will be indicated on the label that is on the base of the relay. Observe coil polarity.

** Consult factory for load switching applications.

PART NUMBER SYSTEM

G62LC	8	4	1
Coil Voltage*	8 = 26.5 Vdc, Turret Terminal		
High Voltage Connections		4 = Flying Leads, 12" 7 = Flying Leads, 72" 8 = Flying Leads, 36"	
Mounting			1 = Threaded

Ratings listed are for 25°C, sea level conditions