

### FEATURES

- Tungsten contacts improve hot load switching
- Contact GIGAVAC Applications Support for load capability
- Can be mounted in any position, any axis
- PCB and panel mount versions



### PRODUCT SPECIFICATIONS

Contact & Relay Ratings	Units	G81
Contact Form		A
Contact Arrangement		SPST-NO
Voltage, Test Max., Contacts & to Base (15 µA Leakage Max., dc or 60Hz)	kV Peak	11
Voltage, Operating Max., Contacts & to Base (15 µA Leakage Max.) - dc or 60 Hz	kV Peak	10
Current, Continuous Carry Max - dc or 60 Hz	Amps	5, 10*(1)
Resistance, Contact Max @ 1A, 28 Vdc	ohms	0.03
Operate Time	ms	10
Release Time	ms	10
Life, Mechanical	cycles	2 million
Weight, Nominal	g (oz)	56 (2 oz)
Vibration, Operating, Sine (55-500 Hz Peak)	G's	10
Shock, Operating, 1/2 Sine 11ms (Peak)	G's	30
Temperature Ambient Operating	°C	-55 to +85

\*Consult factory for load switching applications.

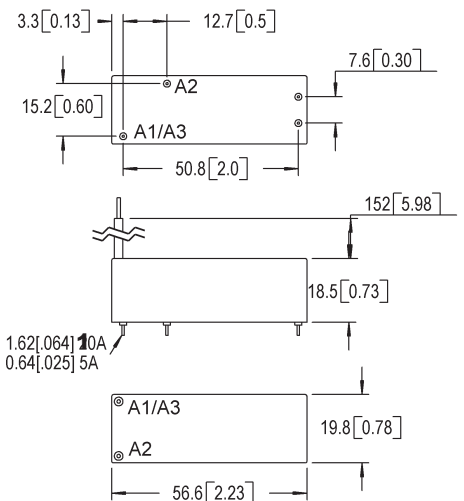
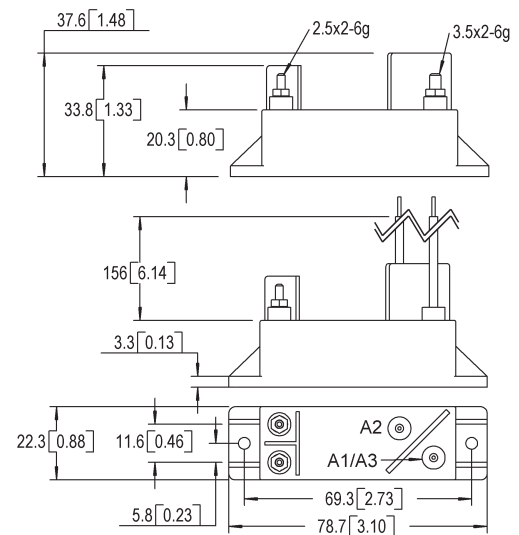
### COIL RATINGS

Nominal, Volts dc	12	26.5	115
Pick-up, Volts dc, Max.	8	16	80
Drop-Out, Volts dc	.5 - 5	1 - 10	5 - 50
Coil Resistance (Ohms ±10%)	70	290	4700

Ratings listed are for 25°C, sea level conditions

### PART NUMBER SYSTEM

G81A	3	3	5
<b>Coil Voltage</b>	2 = 12 Vdc, PC Pins 3 = 26.5 Vdc, PC Pins 5 = 115 Vdc, PC Pins A = 12 Vdc, Panel Mount B = 26.5 Vdc, Panel Mount C = 115 Vdc, Panel Mount		
<b>High Voltage Connections</b>		A(2) = PCB Pins - 10 Amp 3 = PCB Pins - 5 Amp 4 = Flying Leads 5 = Stud Terminals	
<b>Mounting</b>			5 = PC Board 7 = Panel Mount



(1) PC pin versions carry 5 or 10 amps, see part number system. Flying lead and panel versions carry 10 amps.

(2) PCB Power terminals diameters:  
A version, 10 amp, = 1.62mm  
3 version, 5 amp = 0.64mm