

GV210 Series

SPST-NO 900 VDC CONTACTOR

Introduction

Sensata | GIGAVAC GV210 Series contactors are hermetically sealed, gas filled contactors suitable for use in harsh environments. With contact voltage ratings from 12Vdc to 900Vdc and a hot switchable continuous carry current of 100A, the compact GV210 Series is ready to solve your next challenging application problem. Like all Sensata | GIGAVAC advanced switching solutions these contactors can be mounted in any axis or orientation and are sealed to withstand a variety of harsh environments. GV210 Series contactors meet RoHS and CE Conformance requirements and are built in accordance to IATF-16949.



Features

- Hermetically sealed and intrinsically safe. Not mounting position sensitive.
- Operates in explosive/harsh environments without oxidation or contamination of contacts.
- Eligible for use in hazardous/classified operating environments
- High voltage isolation between open contacts, inert gas filled contact chamber
- Designed and built in accordance to IATF-16949
- Flying leads for coil connections

Applications

- Battery electric vehicles
- DC motor controller protection
- DC fast charging
- Photovoltaic controls
- Energy Storage systems

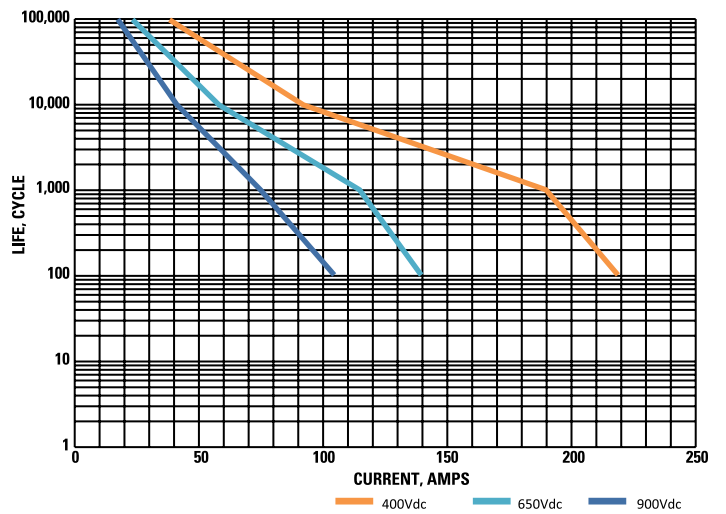
SPECIFICATIONS

Contact Arrangement		Main Contacts SPST-NO (Form X)
Mechanical Life		1 million cycles
Contact Resistance		0.5mΩ (max) @ 100A
Shock, 11ms 1/2 sine (operating)		20G peak
Sine Vibration, 55-2,000 Hz.		20G peak
Weight		6.7 oz (190g)
Voltage Rating: Main Contacts (max)		900VDC
Current Rating: Main Contacts	Continuous (8.4 mm² / 8 AWG)¹	100A
	Continuous (21 mm² / 4 AWG)¹	150A
	Short Term -- 3 Minutes²	200A
Maximum Short Circuit Current (1/2 cycle, 60 Hz) (through closed contacts)		1,250A
Dielectric Withstand Voltage (ASTM D149)	Between Open Contacts	>5,000Vrms
	Contacts to Coil	>3,000Vrms
Insulation Resistance, Terminal to Terminal / Terminals to Coil	When New	500 MΩ, min. @ 500Vdc
	At End of Life	50 MΩ, min. @ 500Vdc
Operating Temperature Range		-40°C to +85°C
Environmental Seal		Exceeds IP67 and IP69
Salt Fog Spray		MIL-STD-810G

COIL RATINGS at 25°C

Nominal Voltage	12Vdc	24Vdc	48Vdc
Maximum Voltage	16Vdc	28Vdc	52Vdc
Pick Up Voltage	Up to 9.6Vdc	16Vdc	33Vdc
Drop Out Voltage	1.2Vdc	2.4Vdc	4.8Vdc
Coil Current	461mA	250mA	122mA
Coil Power	5.5W	6.0W	6.0W
Coil Resistance ± 5% (ohms)	26	96	392
Operate Time	25ms		
Release Time	10ms		

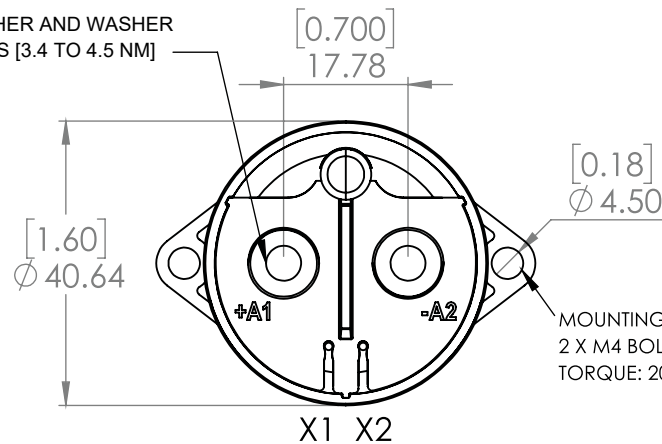
DC Power Switching Cycles



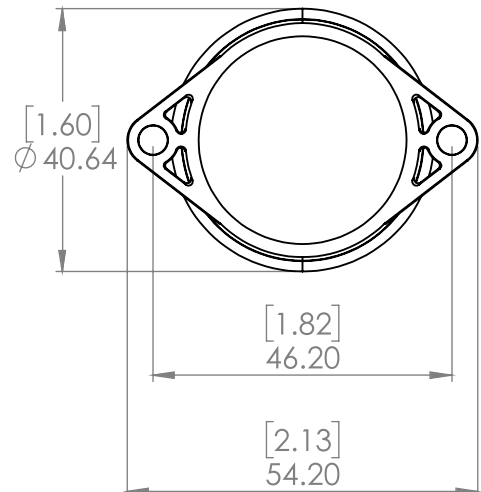
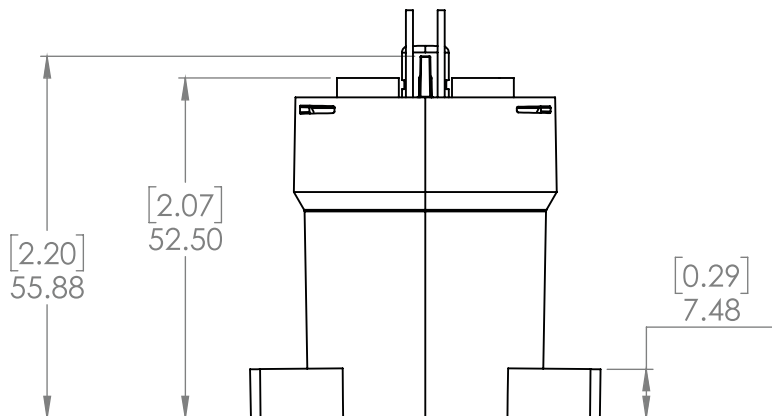
DIMENSIONS

Dimensions are in millimeters [inches]
Coil terminal polarity is X1 (+) and X2 (-)

M5 FEMALE LOAD TERMINALS - 2 PLACES
HARDWARE :
2 X M5 BOLT, LOCKWASHER AND WASHER
TORQUE: 30 TO 40 IN-LBS [3.4 TO 4.5 NM]



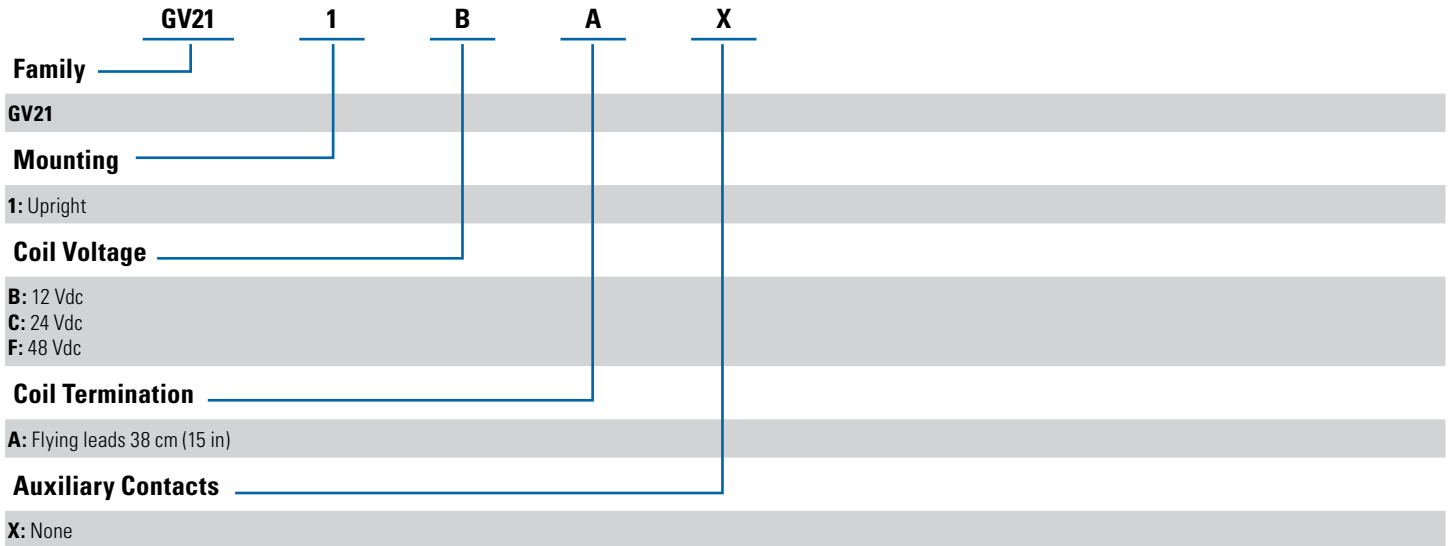
MOUNTING HARDWARE:
2 X M4 BOLT, LOCKWASHER AND WASHER
TORQUE: 20 IN-LBS MAX [2.3 NM MAX]





ORDERING OPTIONS

Example : GV211BAX



GENERAL NOTES

1. Current rating depends upon conductor size. Keep power terminals below 150°C (max).
2. 3 minutes at +40°C ambient with 8.4 mm² (#8 AWG) conductor.



WARNINGS



RISK OF MATERIAL DAMAGE AND HOT ENCLOSURE

- The product's side panels may be hot, allow the product to cool before touching
 - Follow proper mounting instructions including torque values
 - Do not allow liquids or foreign objects to enter this product
- Failure to follow these instructions can result in serious injury, or equipment damage.**



HAZARD OF ELECTRIC SHOCK, EXPLOSION OR ARC FLASH

- Disconnect all power before installing or working with this equipment
 - Verify all connections and replace all covers before turning on power
- Failure to follow these instructions will result in death or serious injury.**

Sensata Technologies, Inc. ("Sensata") data sheets are solely intended to assist designers ("Buyers") who are developing systems that incorporate Sensata products (also referred to herein as "components"). Buyer understands and agrees that Buyer remains responsible for using its independent analysis, evaluation and judgment in designing Buyer's systems and products. Sensata data sheets have been created using standard laboratory conditions and engineering practices. Sensata has not conducted any testing other than that specifically described in the published documentation for a particular data sheet. Sensata may make corrections, enhancements, improvements and other changes to its data sheets or components without notice.

Buyers are authorized to use Sensata data sheets with the Sensata component(s) identified in each particular data sheet. HOWEVER, NO OTHER LICENSE, EXPRESS OR IMPLIED, BY ESTOPPEL OR OTHERWISE TO ANY OTHER SENSATA INTELLECTUAL PROPERTY RIGHT, AND NO LICENSE TO ANY THIRD PARTY TECHNOLOGY OR INTELLECTUAL PROPERTY RIGHT, IS GRANTED HEREIN. SENSATA DATA SHEETS ARE PROVIDED "AS IS". SENSATA MAKES NO WARRANTIES OR REPRESENTATIONS WITH REGARD TO THE DATA SHEETS OR USE OF THE DATA SHEETS, EXPRESS, IMPLIED OR STATUTORY, INCLUDING ACCURACY OR COMPLETENESS. SENSATA DISCLAIMS ANY WARRANTY OF TITLE AND ANY IMPLIED WARRANTIES OF MERCHANTABILITY, FITNESS FOR A PARTICULAR PURPOSE, QUIET ENJOYMENT, QUIET POSSESSION, AND NON-INFRINGEMENT OF ANY THIRD PARTY INTELLECTUAL PROPERTY RIGHTS WITH REGARD TO SENSATA DATA SHEETS OR USE THEREOF.

All products are sold subject to Sensata's terms and conditions of sale supplied at www.sensata.com SENSATA ASSUMES NO LIABILITY FOR APPLICATIONS ASSISTANCE OR THE DESIGN OF BUYERS' PRODUCTS. BUYER ACKNOWLEDGES AND AGREES THAT IT IS SOLELY RESPONSIBLE FOR COMPLIANCE WITH ALL LEGAL, REGULATORY AND SAFETY-RELATED REQUIREMENTS CONCERNING ITS PRODUCTS, AND ANY USE OF SENSATA COMPONENTS IN ITS APPLICATIONS, NOTWITHSTANDING ANY APPLICATIONS-RELATED INFORMATION OR SUPPORT THAT MAY BE PROVIDED BY SENSATA.

Mailing Address: Sensata Technologies, Inc., 529 Pleasant Street, Attleboro, MA 02703, USA.

Americas

Sensata GIGAVAC
 Contactor Center of Excellence
 6382 Rose Lane
 Carpinteria, CA 93013
 USA

Tel: +1 (805) 684 8401
 Email: gigavac@sensata.com
 Sensata Global Headquarters
 Sensata Technologies
 529 Pleasant Street
 Attleboro, MA 02703
 USA

Europe, Middle East & Africa

Sensata Technologies Holland B.V.
 Jan Tinbergenstraat 80
 7559 SP Hengelo
 The Netherlands
 Tel: +31743578000
 Email: gigavac-info-eu@list.sensata.com

CONTACT US

Asia Pacific

China
 Sensata Technologies China Co., Ltd.
 BM Intercontinental Business Center
 30th Floor
 100 Yu Tong Road
 Shanghai 200070
 People's Republic of China
 Tel: +8621 2306 1500
 Email: contactorasia@list.sensata.com
 Japan
 Sensata Technologies Japan Ltd.
 Shin Yokohama Square Bldg. 7F
 2-3- 12 Shin-yokohama
 Kohoku-ku, Yokohama-shi,
 Kanagawa 222-0033
 Tel: +81 45 277 7001
 Email: contactorasia@list.sensata.com