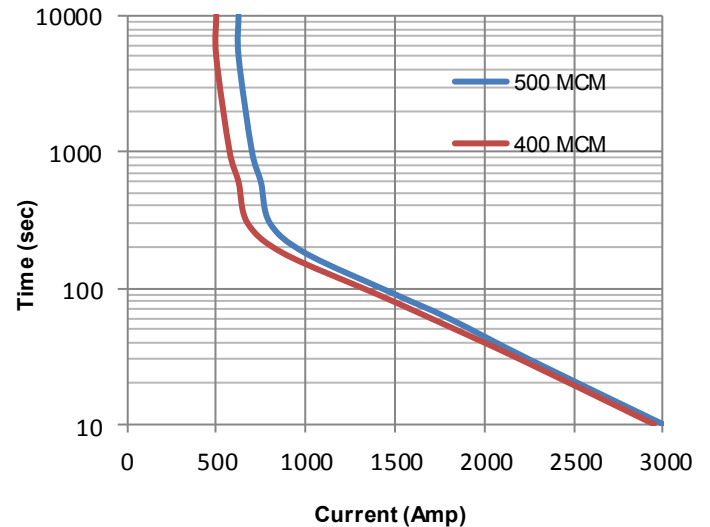


**Key Features**

<b>EPIC® Seal</b>	Ceramic to metal braze. Gas filled hermetic chamber protects key components. Exceeds IP69K standard
<b>Temperature</b>	Tested to temperatures up to 200°C
<b>Contacts / Form</b>	Silver / SPST / NO
<b>Coil</b>	Efficient two coil design with no PWM or EMI emissions. Coil suppression built in
<b>High Shock and Vibration</b>	For rugged environments, off-road and tracked vehicles
<b>Installation</b>	Not direction sensitive
<b>Made in USA</b>	Designed and manufactured in the USA
<b>Reference</b>	MIL-R-6106, RoHS

**Current Carry vs Time**  
with 85°C terminal temperature rise



**Power Terminals**  
M12 Hardware  
Torque 23-34 Nm [200-300 in-lb]

**Mounting Hardware**  
M8 [5/16 in] Bolts (not incl.)  
Torque 2-4 Nm [18-35 in-lb]

**Coil/Auxiliary Terminals**  
18-8 Stainless Steel Hardware  
M4x.7 6mm Phillips Machine Screw  
Internal-Tooth Washer  
Torque .75 Nm [6.6 in-lb] max

**Case Material**  
25% GF Nylon 6/6, UL 94 V-0

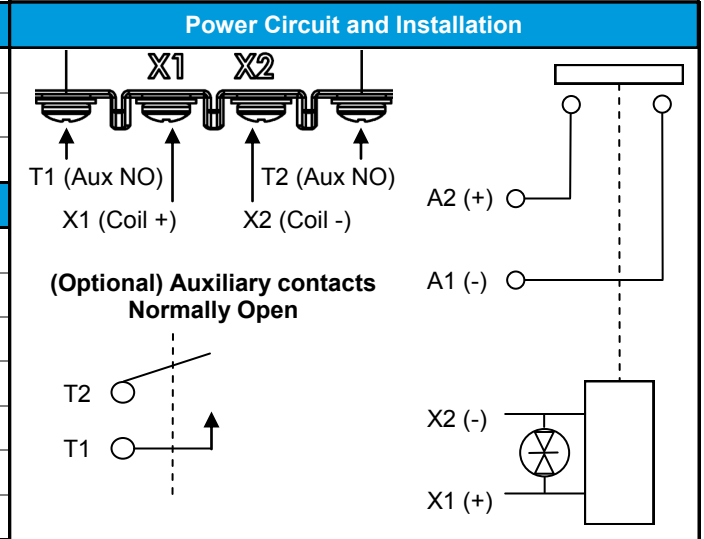
Technical Specification	
Continuous Current	600A w/ 500MCM (see graph on reverse)
Max Current—1 sec	4000A
Max Current—10 sec	3000A
Max Current—90 sec	1500A
Contact Voltage Drop (max)	150mV at 600A
Insulation Resistance (min)	100MΩ (50MΩ after life)
Dielectric Withstanding	1500VRMS (1050 VRMS after life)
Operate Time (max)	20 msec (include bounce)
Release Time (max)	12 msec
Weight	2.1 lb (950 grams)

**MX46 \_ D \_**

**Coil Voltage:**  
*B = 12V*  
*C = 24V*  
*F = 48V*

**Auxiliary Contacts:**  
*Blank = none*  
*B = SPST, Normally Open*

Resistive Load Switching	
600A at 24 VDC	100,000 cycles
Mechanical Life	300,000 cycles
Fault Interrupt @ 28VDC	4000A



Environmental Specifications	
Seal	Hermetic, 10 E-9 atm cc/sec
Temperature Range	-55°C to +90°C
Shock	Sawtooth @ 20G, 11ms, ½ Sine @ 25G, 11ms
Vibration	10-2000 Hz, 20G
Water / Steam	2750 psi waterjet, 105 psi steam, boiling water
Salt Spray Corrosion	MIL-STD-810G
Resistant to corrosion, chemicals, and fungal growth	

Auxiliary contacts (optional) - Form A, SPST Normally Open	
Switching Current (max)	1A at 28VDC
Switching Current (min)	0.1mA at 5V

**Coil Ratings at 25°C**  
 \*Contact factory for additional coil voltages

Coil P/N Designation	B	C	F
Coil Voltage, Nominal	12 VDC	24 VDC	48 VDC
Coil Voltage, Max	16 VDC	32 VDC	64 VDC
Pick-Up Voltage, Max	8 VDC	16 VDC	30 VDC
Dropout Voltage	0.5 to 4.5 VDC	0.5 to 7.5 VDC	2 to 15 VDC
Pick-Up Current, Max (75ms)	3.8 A	1.9 A	0.9 A
Coil Current	0.64 A	0.32 A	0.16 A
Coil Power	7.8 W	7.8 W	7.8 W
Internal Coil Suppression	Transorb		
Coil Back EMF	55 V		125 V
Transients, Max (13ms)	±50 V		±75 V
Reverse Polarity	16 V	32 V	64 V



Options and Accessories	

**GIGAVAC®**

P.O. Box 4428  
Santa Barbara, CA 93140

[www.gigavac.com](http://www.gigavac.com)    [info@gigavac.com](mailto:info@gigavac.com)    +805-684-8401

Rev 3    12/29/14    © 2013 GIGAVAC, LLC    Page 2 of 2    **MX46**