



# KLIXON® | 3TC2, 3TC14 & 3TC27 SERIES

## 15 to 35 Amps, Single Pole Aircraft Circuit Breakers

### FEATURES

- Ambient Compensated
- 15 to 35 amps, 120VAC, 28VDC
- Miniature size, lightweight
- Trip-free, coordinated ratings
- High interrupt capacity
- SAE AS58091
- All U.S., China and most European aircraft OEM's qualifications

### ADDITIONAL OPTIONS

- Longer push buttons
- High or random vibration\*
- Metric mounting or terminal thread
- Dust boot ‡
- Terminal barriers, hardware
- Variable frequency
- Variable voltage

### DESCRIPTION

The Klixon® single-pole 3TC devices are the smallest, lightest aircraft circuit breakers available today. They represent “state-of-the-art” protection for today’s aerospace power systems. Their lightweight and small size make them especially well suited for aircraft, avionics, electrical systems, communication systems and defense vehicles (land and air).

The Klixon® trademark has historically set the standard for aerospace circuit breakers. Despite the small size, the TC series offers the endurance and reliability offered by exacting military and commercial applications.

PERFORMANCE CHARACTERISTICS	
Interrupt Current Capacity	15-35 amps: 6,000 amps @ 28 VDC 15-35 amps: 2,000 amps @ 120 VAC, 400 Hz
Vibration Resistance**	10G minimum, 50 - 500 Hz
Mechanical Shock Resistance**	Exceeds 50G's
Insulation Resistance	100 MΩ min @500VDC
Endurance	<i>120VAC 400Hz</i> 2,500 cycles inductive 5,000 resistive load  <i>28VDC</i> 5,000 resistive load 10,000 cycles mechanical no load
Overload Cycling	Minimum 100 cycles @ 200% rated current
Acceleration	Exceeds 10G's
Weight	3TC27 - 36 gm max

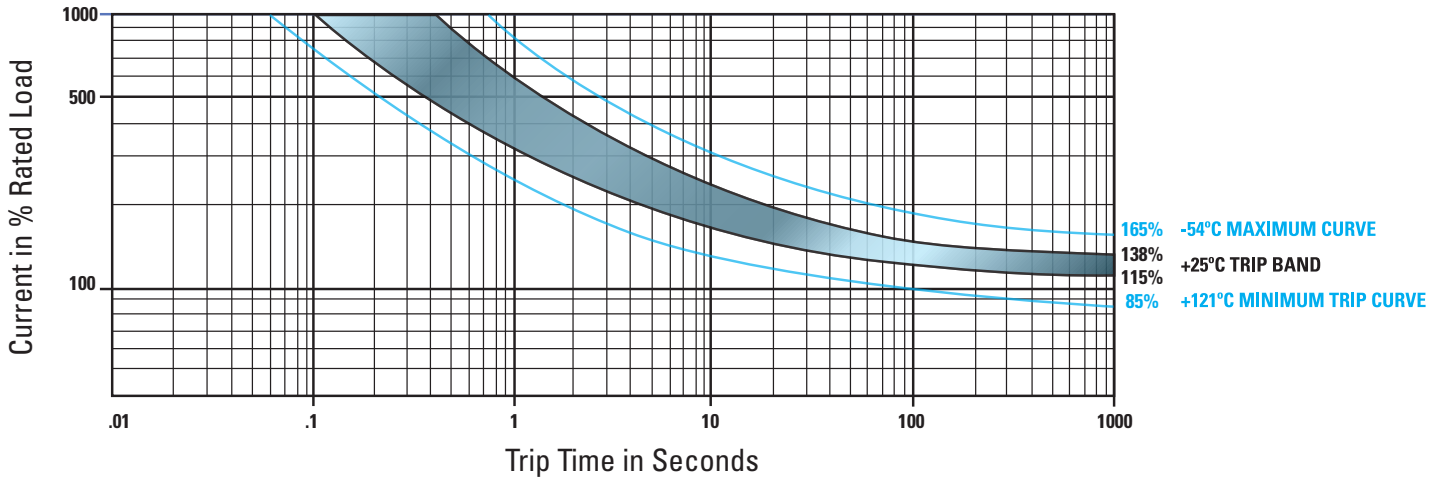
ORDERING INFORMATION	
<b>3TC X - X</b>	
<b>3TC Style</b>	_____
<b>2</b> = MS14105 Standard	
<b>14</b> = Commercial Version	
<b>27</b> = MS14105L, Long Push Button	
<b>Amp Rating<sup>§</sup></b>	_____
(15, 20, <b>25</b> , <b>30</b> , <b>35</b> )	

‡ Part Number 14500-1 Fits 15/32 Bushing

§ Amperage ratings of 25 to 35 amps are MS approved

\* Other vibration levels available, contact factory for details

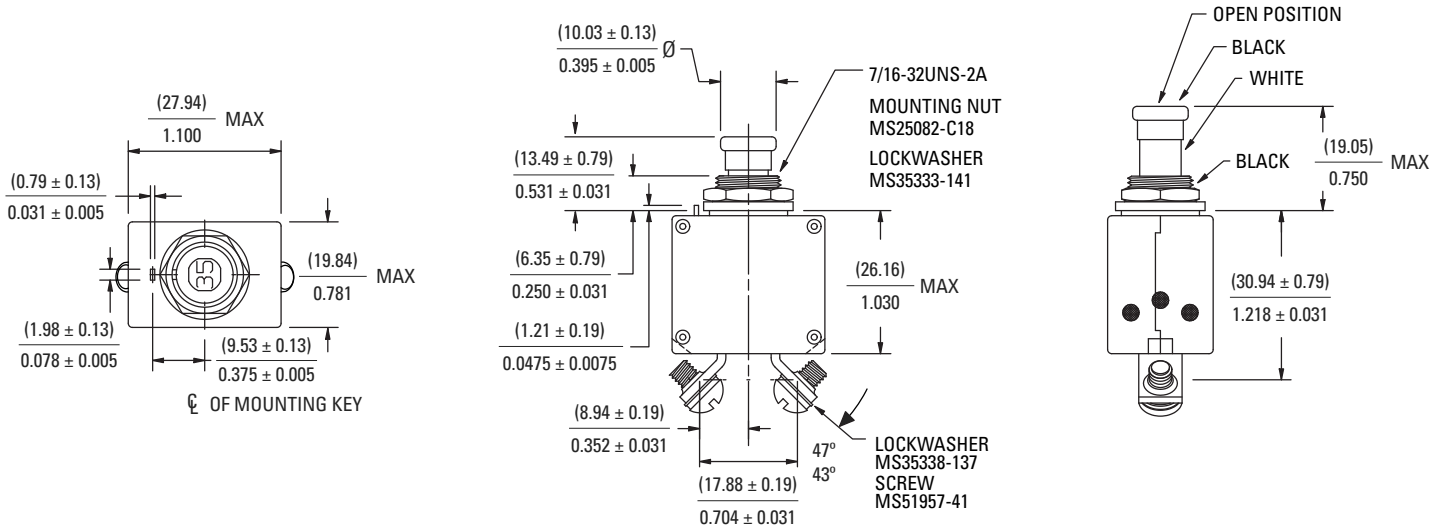
## TRIP CURVE - Approximate Time, Current Characteristics at 77°F (25°C)



MAX VOLTAGE DROP @ NOMINAL RATED CURRENT	
Amp Rating	Max Drop
15	0.25
20	0.25
25	0.25
30	0.25
35	0.25

CALIBRATION		Trip Time in Seconds			
TEMP °C / °F	MIN ULT TRIP	MAX ULT TRIP	200%	500%	1000%
+25 / +77	115%	138%	4 to 20	.4 to 1.7	.10 to .40
-54 / -65	115%	160%	6 to 35	.55 to 3.0	.15 to .70
+121 / 250	85%	138%	2 to 15	.25 to 1.0	.06 to .25

## DIMENSIONAL DRAWINGS



\*\*\* 3TC27 dimension is 1.125" (28.57mm) Max